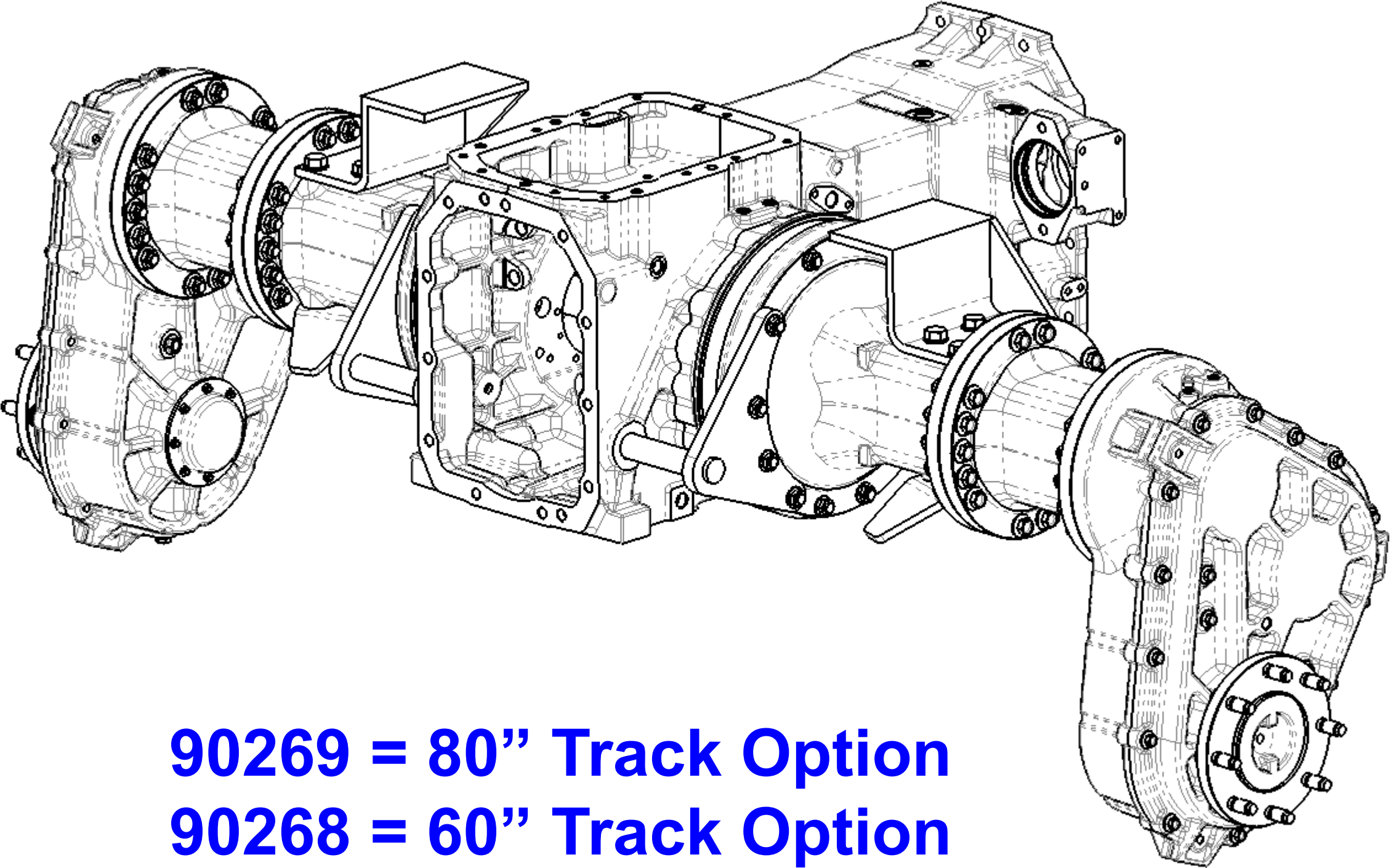



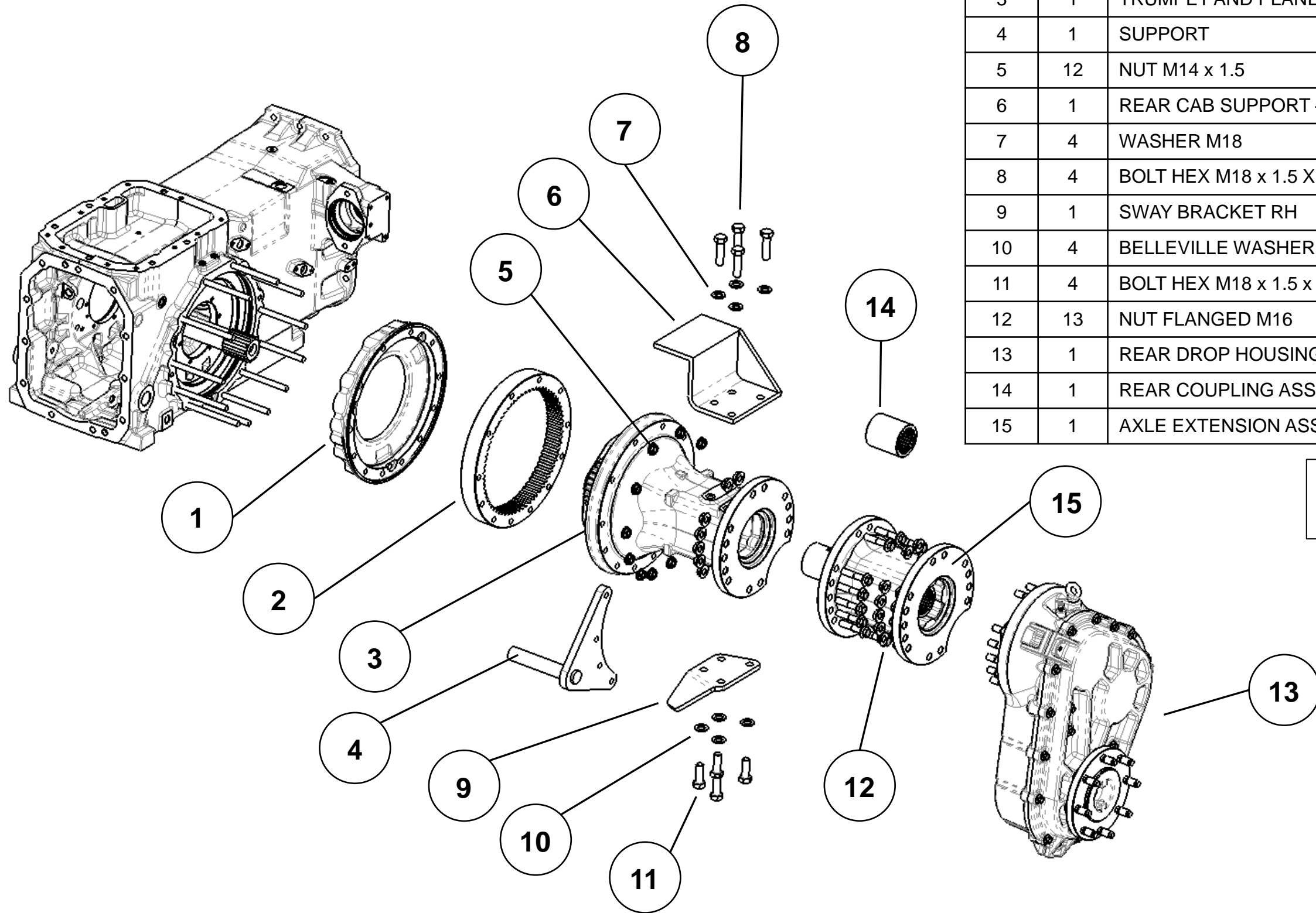


90269 - CNH T6 Hi-Crop REAR AXLE ASSEMBLY



90269 = 80" Track Option
90268 = 60" Track Option

	TITLE 90269 - CNH T6 Hi-Crop REAR AXLE ASSEMBLY					
	DOCUMENT 90269 - CNH T6 Hi-Crop Parts Book 2017-06-19.pptx	DATE 2017-06-19	DRAWN RT	CHECKED JSM		
PREPARED BY 	DESCRIPTION CNH T6 Hi-Crop Parts Book		COUNTY PART NUMBER	Sheet 1 of 21		COUNTY COPYRIGHT © THIS DOCUMENT CONTAINS CONFIDENTIAL INFORMATION WHICH MUST NOT BE DISCLOSED TO ANY PERSON WITHOUT OUR PRIOR AUTHORITY IN WRITING.



ITEM	QTY.	DESCRIPTION	SUPPLIER	SUPPLIER No.
1	1	SPACER	CNH	47125657
2	1	FINAL DRIVE INTERNAL GEAR	CNH	5191492
3	1	TRUMPET AND PLANET CARRIER ASSEMBLY RH		
4	1	SUPPORT	CNH	5191006
5	12	NUT M14 x 1.5	CNH	12164024
6	1	REAR CAB SUPPORT - RH	CNH	
7	4	WASHER M18	CNH	10520324
8	4	BOLT HEX M18 x 1.5 X 65mm	CNH	15239624
9	1	SWAY BRACKET RH	COUNTY	90132
10	4	BELLEVILLE WASHER M18 x 36 x 4.2 THICK	CNH	11191674
11	4	BOLT HEX M18 x 1.5 x 50mm	CNH	15984321
12	13	NUT FLANGED M16	COUNTY	90259
13	1	REAR DROP HOUSING ASSEMBLY RH	COUNTY	90116
14	1	REAR COUPLING ASSEMBLY 60 INCH	COUNTY	90257
15	1	AXLE EXTENSION ASSEMBLY RH	COUNTY	90261

**Note: For 60 inch track use item 14.
For 80 inch track use item 15.**



TITLE					REAR AXLE - RH ASSEMBLY			
DOCUMENT								
90269 - CNH T6 Hi-Crop Parts Book 2017-06-19.pptx					2017-06-19	RT	JSM	EM



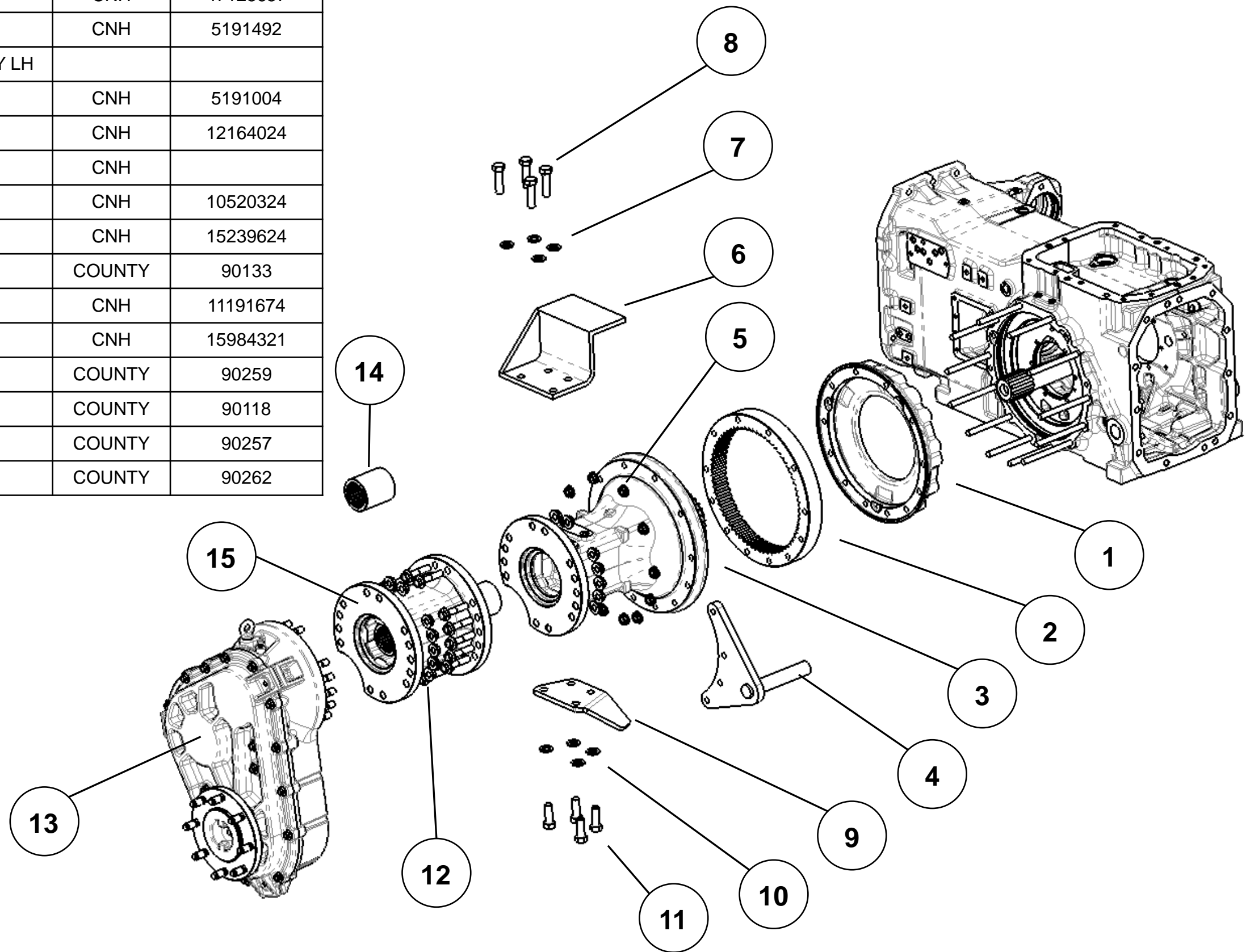
PREPARED BY

DESCRIPTION	COUNTY PART NUMBER	Sheet 2 of 21
CNH T6 Hi-Crop Parts Book		

COUNTY COPYRIGHT ©
THIS DOCUMENT CONTAINS CONFIDENTIAL INFORMATION
WHICH MUST NOT BE DISCLOSED TO ANY PERSON
WITHOUT OUR PRIOR AUTHORITY IN WRITING.

ITEM	QTY.	DESCRIPTION	SUPPLIER	SUPPLIER No.
1	1	SPACER	CNH	47125657
2	1	FINAL DRIVE INTERNAL GEAR	CNH	5191492
3	1	TRUMPET AND PLANET CARRIER ASSEMBLY LH		
4	1	SUPPORT	CNH	5191004
5	12	NUT M14 x 1.5	CNH	12164024
6	1	REAR CAB SUPPORT – LH	CNH	
7	4	WASHER M18	CNH	10520324
8	4	BOLT HEX M18 x 1.5 X 65mm	CNH	15239624
9	1	SWAY BRACKET LH	COUNTY	90133
10	4	BELLEVILLE WASHER M18 x 36 x 4.2 THICK	CNH	11191674
11	4	BOLT HEX M18 x 1.5 x 50mm	CNH	15984321
12	13	NUT FLANGED M16	COUNTY	90259
13	1	REAR DROP HOUSING ASSEMBLY LH	COUNTY	90118
14	1	REAR COUPLING ASSEMBLY 60 INCH	COUNTY	90257
15	1	AXLE EXTENSION ASSEMBLY LH	COUNTY	90262

Note: For 60 inch track use item 14.
For 80 inch track use item 15.



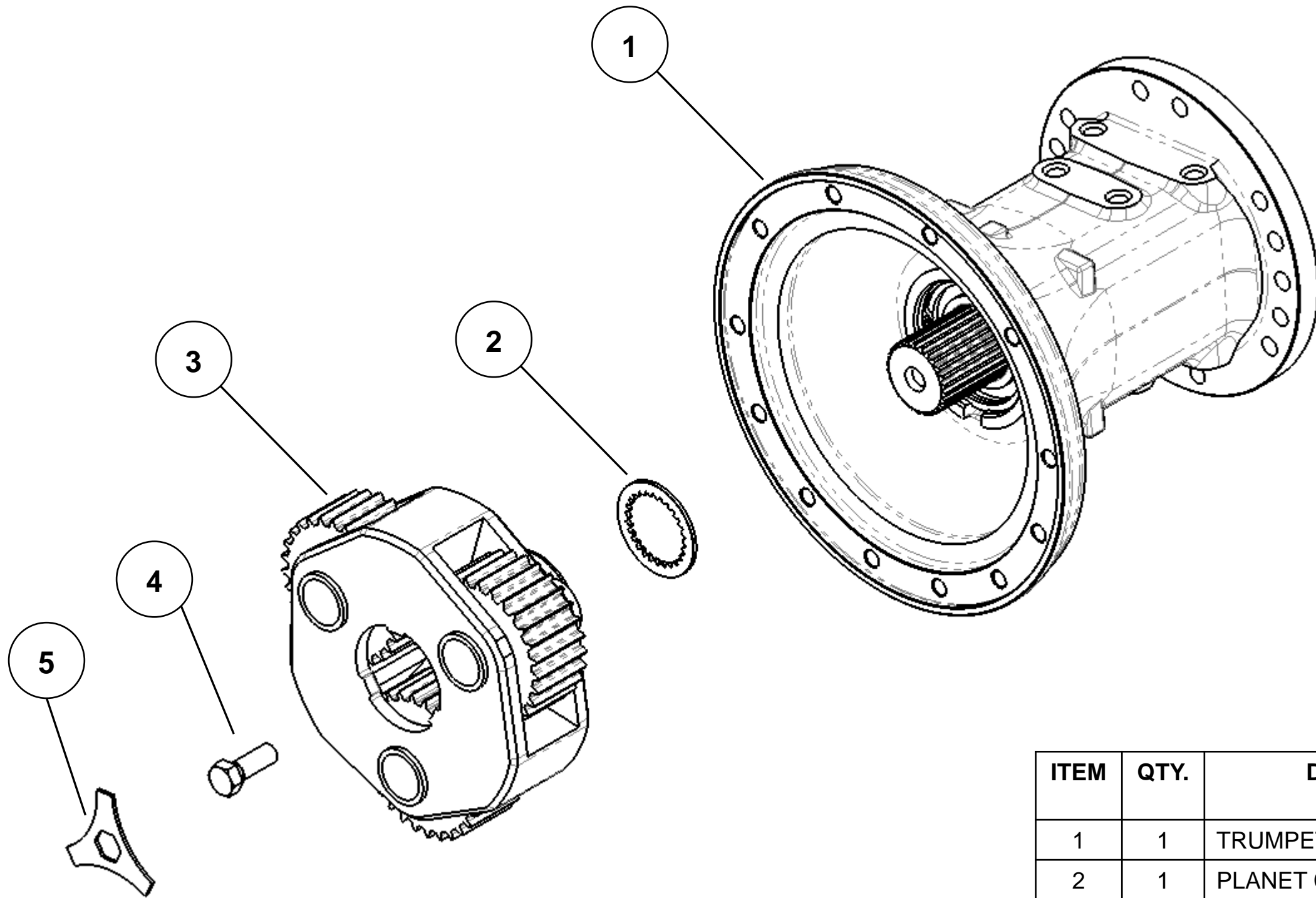
TITLE					REAR AXLE - LH ASSEMBLY			
DOCUMENT								
90269 - CNH T6 Hi-Crop Parts Book 2017-06-19.pptx					DATE	DRAWN	CHECKED	APPROVED
					2017-06-19	RT	JSM	EM



PREPARED BY

DESCRIPTION		COUNTY PART NUMBER	Sheet 3 of 21
CNH T6 Hi-Crop Parts Book			

COUNTY COPYRIGHT ©
THIS DOCUMENT CONTAINS CONFIDENTIAL INFORMATION
WHICH MUST NOT BE DISCLOSED TO ANY PERSON
WITHOUT OUR PRIOR AUTHORITY IN WRITING.



ITEM	QTY.	DESCRIPTION	SUPPLIER	SUPPLIER No.
1	1	TRUMPET ASSEMBLY RH	COUNTY	90252
2	1	PLANET CARRIER SPACER	CNH	4996966
3	1	PLANET CARRIER ASSEMBLY		
4	1	BOLT HEX HD M18-1.5 x 50.0	CNH	15984331
5	1	LOCKING PLATE	CNH	5146156



TITLE

TRUMPET AND PLANET CARRIER ASSEMBLY - RH

DOCUMENT

90269 - CNH T6 Hi-Crop Parts Book 2017-06-19.pptx

DATE

2017-06-19

DRAWN

RT

CHECKED

JSM

APPROVED

EM



PREPARED BY



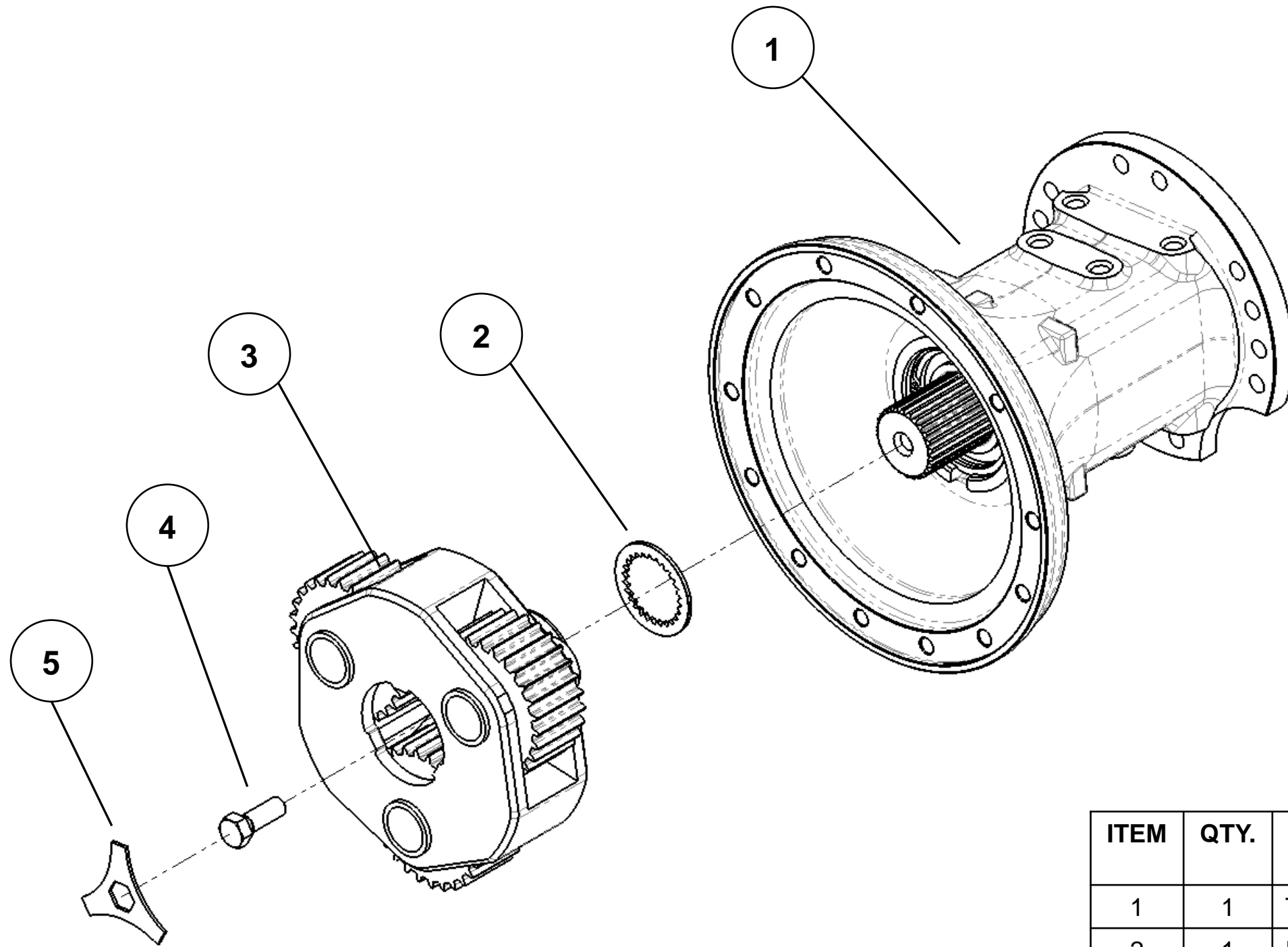
DESCRIPTION

CNH T6 Hi-Crop Parts Book

COUNTY PART NUMBER

Sheet **4**
of **21**

COUNTY COPYRIGHT ©
THIS DOCUMENT CONTAINS CONFIDENTIAL INFORMATION
WHICH MUST NOT BE DISCLOSED TO ANY PERSON
WITHOUT OUR PRIOR AUTHORITY IN WRITING.



ITEM	QTY.	DESCRIPTION	SUPPLIER	SUPPLIER No.
1	1	TRUMPET ASSEMBLY LH	COUNTY	90253
2	1	PLANET CARRIER SPACER	CNH	4996966
3	1	PLANET CARRIER ASSEMBLY		
4	1	BOLT HEX HD M18-1.5 x 50.0	CNH	15984331
5	1	LOCKING PLATE	CNH	5146156



TITLE

TRUMPET AND PLANET CARRIER ASSEMBLY - LH

DOCUMENT

90269 - CNH T6 Hi-Crop Parts Book 2017-06-19.pptx

DATE

2017-06-19

DRAWN

RT

CHECKED

JSM

APPROVED

EM



PREPARED BY



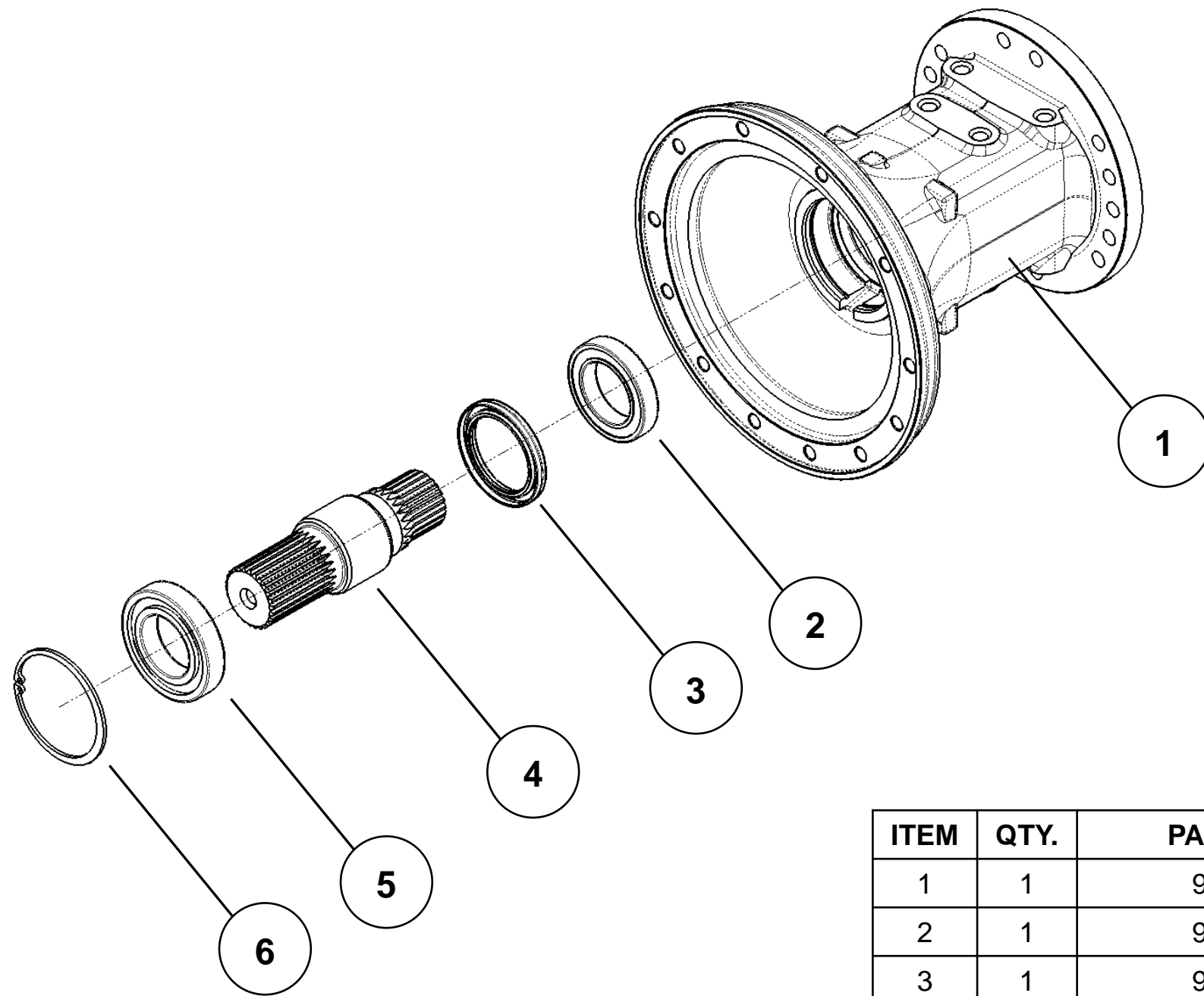
DESCRIPTION

CNH T6 Hi-Crop Parts Book

COUNTY PART NUMBER

Sheet **5**
of **21**

COUNTY COPYRIGHT ©
THIS DOCUMENT CONTAINS CONFIDENTIAL INFORMATION
WHICH MUST NOT BE DISCLOSED TO ANY PERSON
WITHOUT OUR PRIOR AUTHORITY IN WRITING.



ITEM	QTY.	PART No.	DESCRIPTION	SUPPLIER	SUPPLIER No.
1	1	90093	TRUMPET HOUSING RH	COUNTY	90093
2	1	90210	BRG-DG-2RS 70.0 x 110.0 x 20.0	SKF	6014-2RS1
3	1	90254	SEAL – 85 x 115 x 12 TYPE A	BARNWELL	A - 85 x 115 x 12
4	1	90009	AXLE SHAFT	COUNTY	90009
5	1	90255	BRG-DG 70.0 x 125.0 x 24.0	SKF	6214
6	1	90202	CIRCLIP INT. Ø125.0 BORE	ANDERTON	D1300-1250



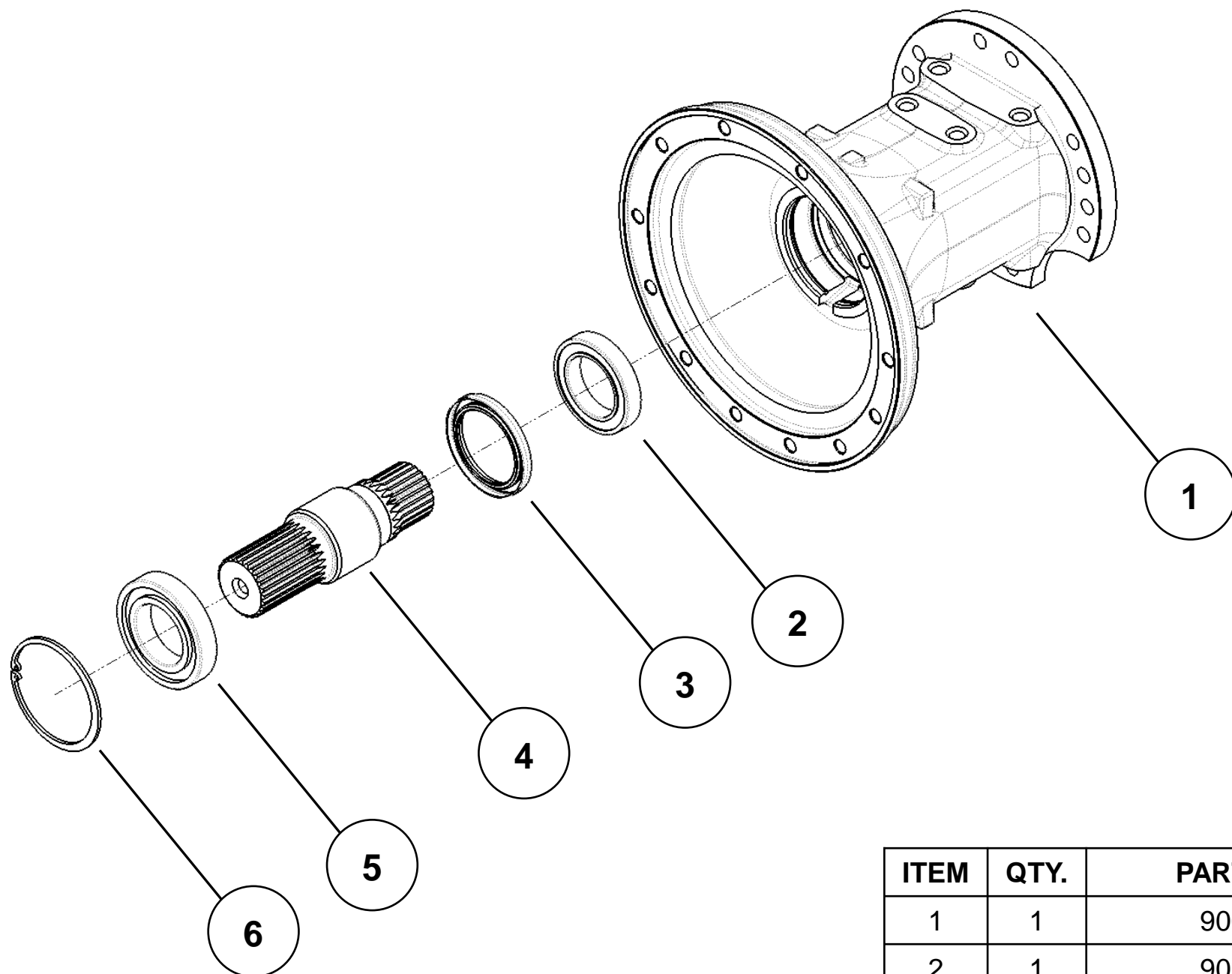
TITLE					
90252 – TRUMPET ASSEMBLY RH					
DOCUMENT		DATE	DRAWN	CHECKED	APPROVED
90269 - CNH T6 Hi-Crop Parts Book 2017-06-19.pptx		2017-06-19	RT	JSM	EM



PREPARED BY GROVE AUTOMOTIVE

DESCRIPTION	COUNTY PART NUMBER	Sheet 6 of 21
CNH T6 Hi-Crop Parts Book		

COUNTY COPYRIGHT ©
THIS DOCUMENT CONTAINS CONFIDENTIAL INFORMATION
WHICH MUST NOT BE DISCLOSED TO ANY PERSON
WITHOUT OUR PRIOR AUTHORITY IN WRITING.



ITEM	QTY.	PART No.	DESCRIPTION	SUPPLIER	SUPPLIER No.
1	1	90094	TRUMPET HOUSING LH	COUNTY	90094
2	1	90210	BRG-DG-2RS 70.0 x 110.0 x 20.0	SKF	6014-2RS1
3	1	90254	SEAL - 85 x 115 x 12 TYPE A	BARNWELL	A - 85 x 115 x 12
4	1	90009	AXLE SHAFT	COUNTY	90009
5	1	90255	BRG-DG 70.0 x 125.0 x 24.0	SKF	6214
6	1	90202	CIRCLIP INT. Ø125.0 BORE	ANDERTON	D1300-1250



TITLE

90253 – TRUMPET ASSEMBLY LH

DOCUMENT

90269 - CNH T6 Hi-Crop Parts Book 2017-06-19.pptx

DATE

2017-06-19

DRAWN

RT

CHECKED

JSM

APPROVED

EM



PREPARED BY



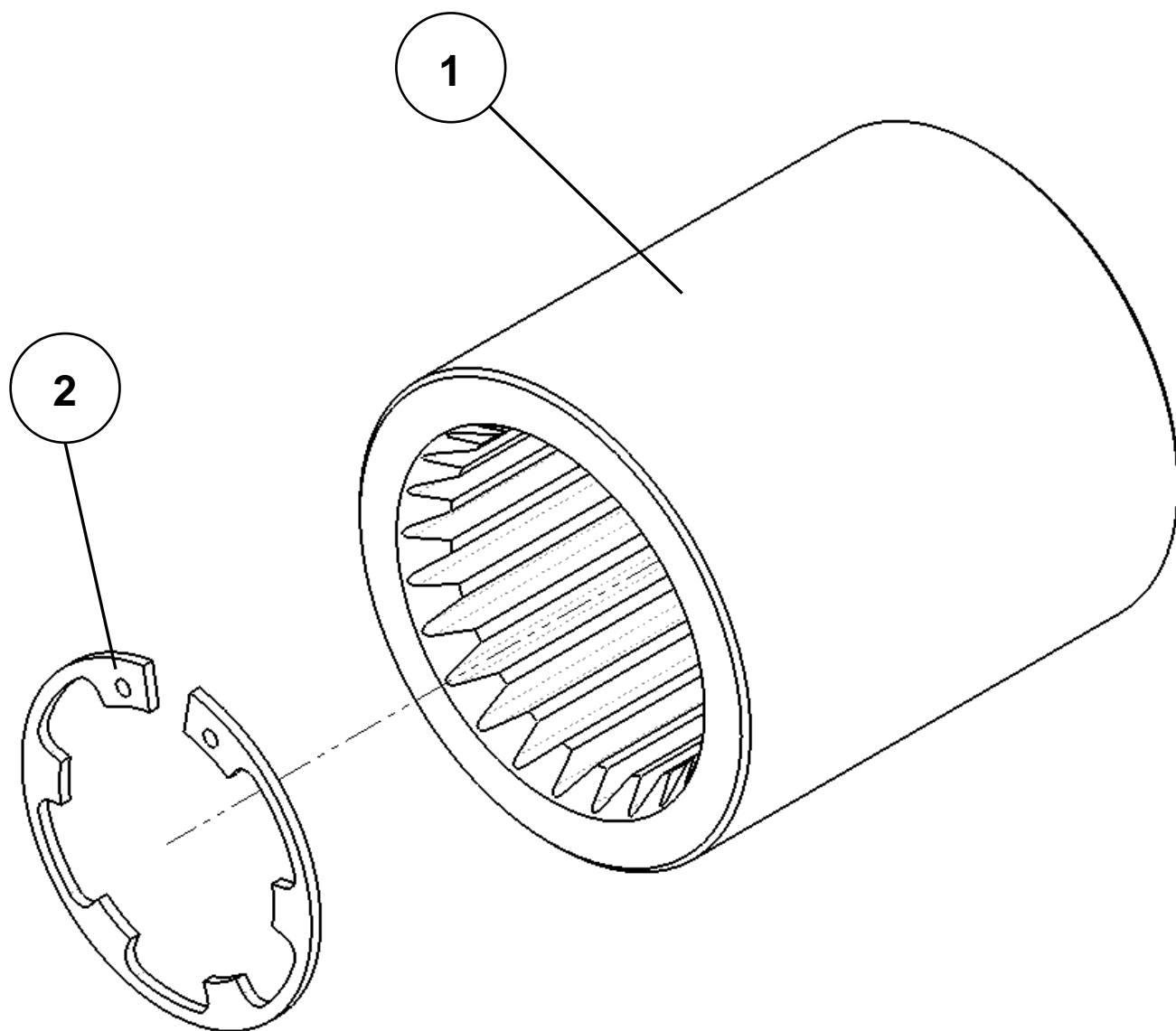
DESCRIPTION

CNH T6 Hi-Crop Parts Book

COUNTY PART NUMBER

Sheet 7
of 21

COUNTY COPYRIGHT ©
THIS DOCUMENT CONTAINS CONFIDENTIAL INFORMATION
WHICH MUST NOT BE DISCLOSED TO ANY PERSON
WITHOUT OUR PRIOR AUTHORITY IN WRITING.



ITEM	QTY.	PART No.	DESCRIPTION
1	1	90032	REAR COUPLING 60 INCH
2	1	90151	INTERNAL CIRCLIP - INCREASED ABUTMENT 60 x 2



TITLE
90257 – REAR COUPLING ASSEMBLY 60 INCH

DOCUMENT	DATE	DRAWN	CHECKED	APPROVED
90269 - CNH T6 Hi-Crop Parts Book 2017-06-19.pptx	2017-06-19	RT	JSM	EM

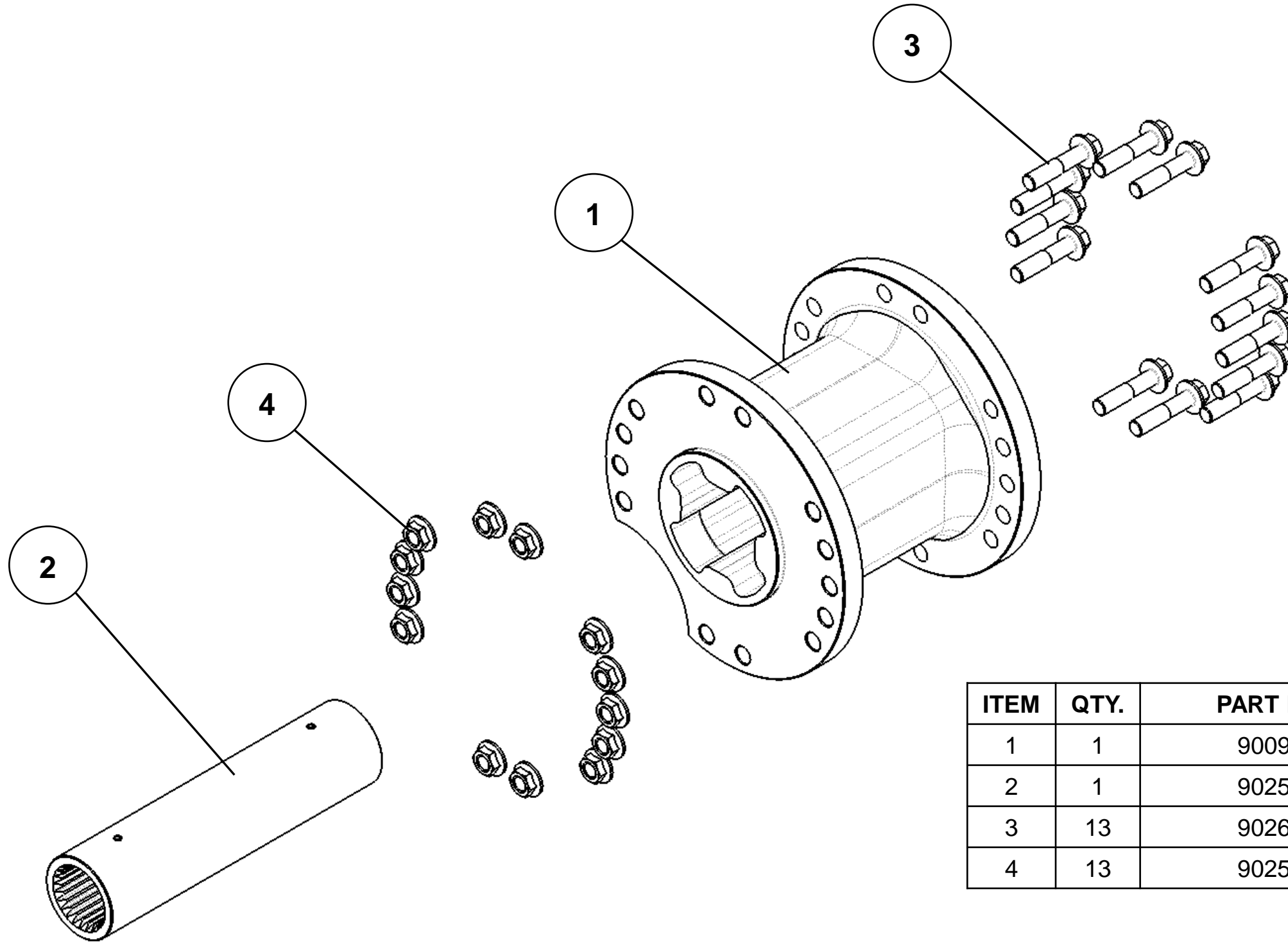


DESCRIPTION
CNH T6 Hi-Crop Parts Book

COUNTY PART NUMBER

Sheet **8**
of **21**

COUNTY COPYRIGHT ©
THIS DOCUMENT CONTAINS CONFIDENTIAL INFORMATION
WHICH MUST NOT BE DISCLOSED TO ANY PERSON
WITHOUT OUR PRIOR AUTHORITY IN WRITING.



ITEM	QTY.	PART No.	DESCRIPTION
1	1	90099	REAR AXLE EXTENSION RH
2	1	90258	REAR COUPLING ASSEMBLY 80 INCH
3	13	90260	BOLT HEX FLG HD M16-2.0 x 70.0
4	13	90259	NUT FLANGED M16



TITLE

90261 – REAR AXLE EXTENSION ASSEMBLY RH

DOCUMENT

90269 - CNH T6 Hi-Crop Parts Book 2017-06-19.pptx

DATE

2017-06-19

DRAWN

RT

CHECKED

JSM

APPROVED

EM



PREPARED BY



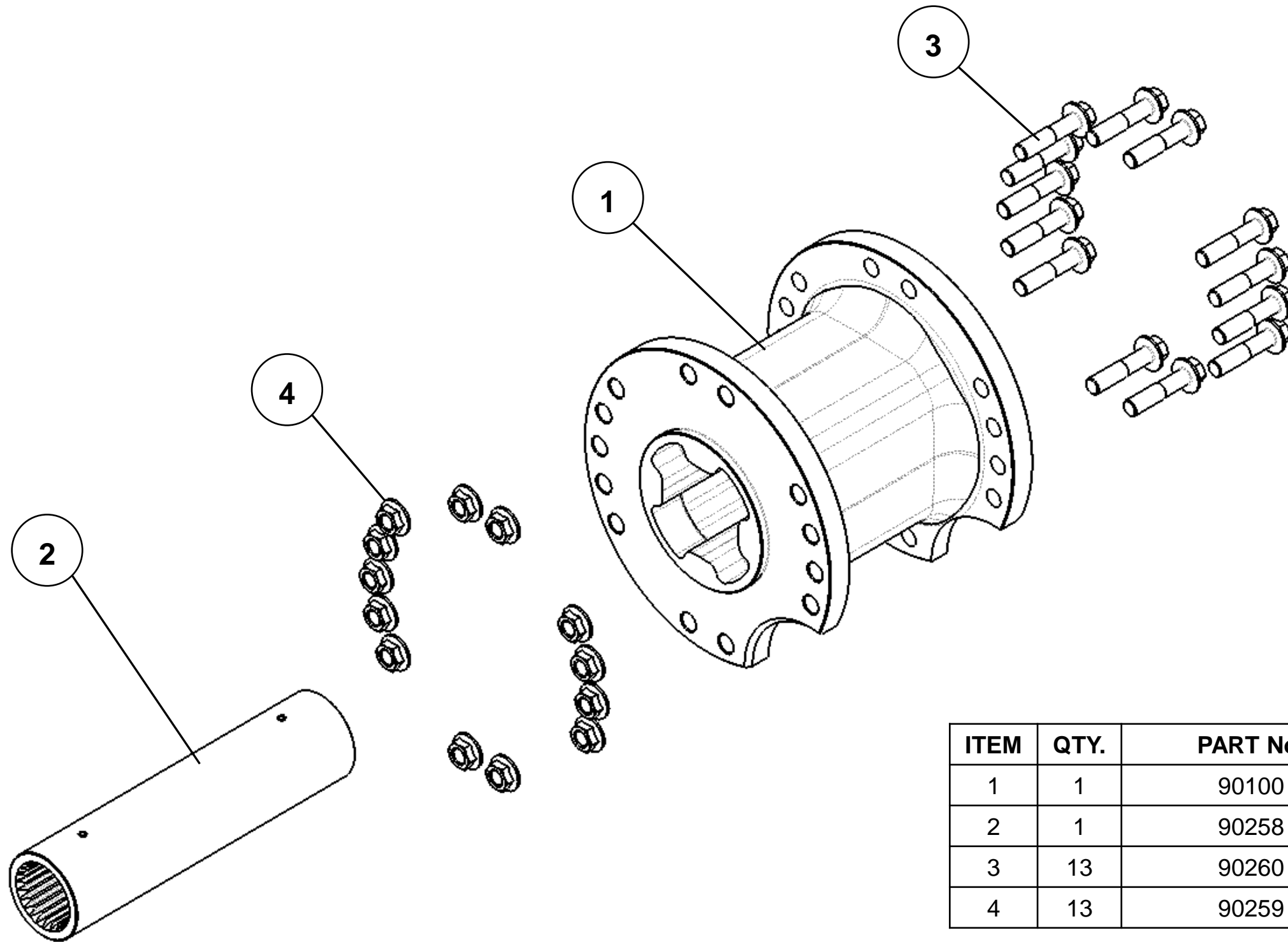
DESCRIPTION

CNH T6 Hi-Crop Parts Book

COUNTY PART NUMBER

Sheet **9**
of **21**

COUNTY COPYRIGHT ©
THIS DOCUMENT CONTAINS CONFIDENTIAL INFORMATION
WHICH MUST NOT BE DISCLOSED TO ANY PERSON
WITHOUT OUR PRIOR AUTHORITY IN WRITING.



ITEM	QTY.	PART No.	DESCRIPTION
1	1	90100	REAR AXLE EXTENSION LH
2	1	90258	REAR COUPLING ASSEMBLY 80 INCH
3	13	90260	BOLT HEX FLG HD M16-2.0 x 70.0
4	13	90259	NUT FLANGED M16



TITLE
90262 – REAR AXLE EXTENSION ASSEMBLY LH

DOCUMENT	DATE	DRAWN	CHECKED	APPROVED
90269 - CNH T6 Hi-Crop Parts Book 2017-06-19.pptx	2017-06-19	RT	JSM	EM

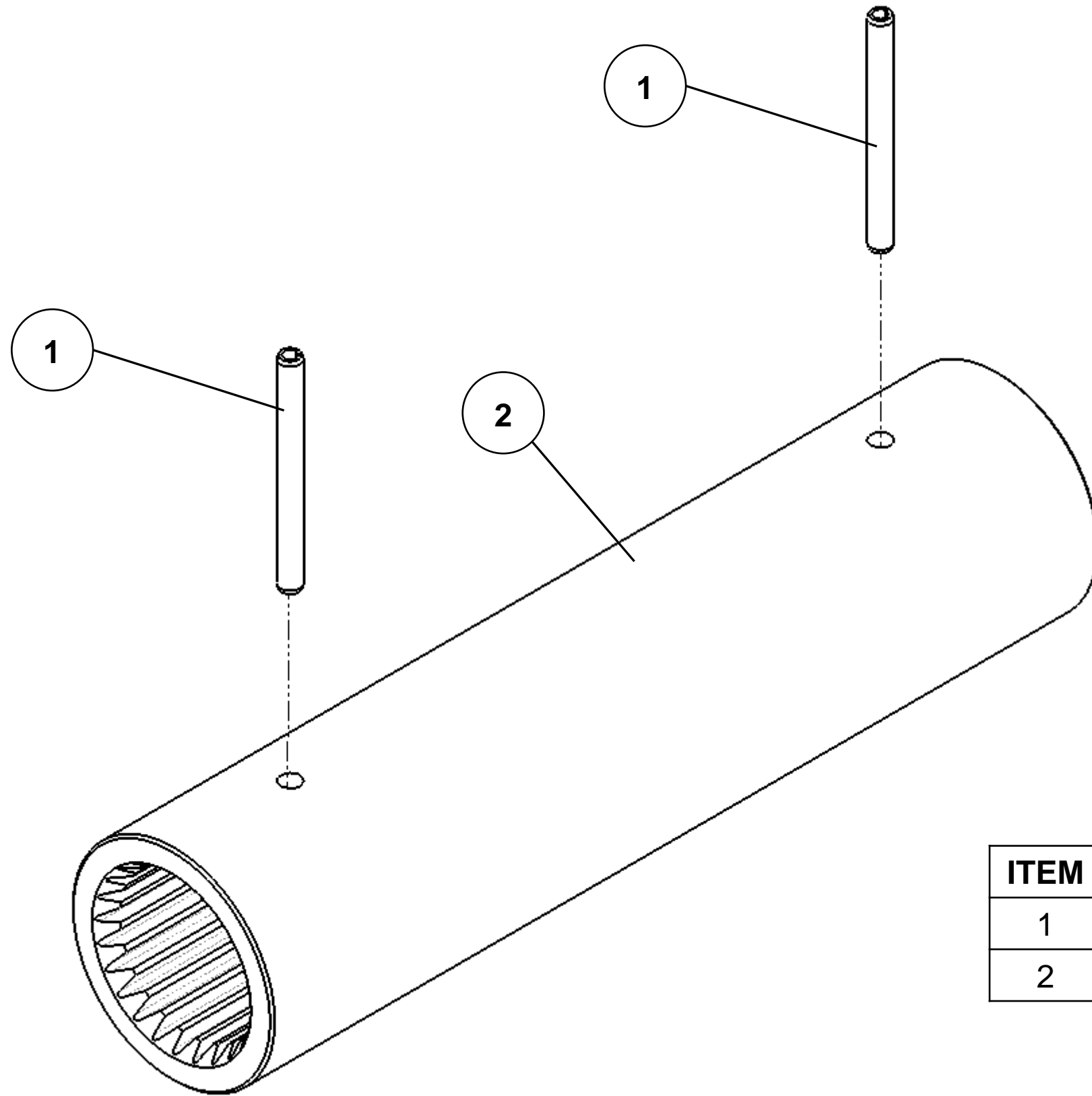


PREPARED BY

DESCRIPTION
CNH T6 Hi-Crop Parts Book

COUNTY PART NUMBER
Sheet **10**
of **21**

COUNTY COPYRIGHT ©
THIS DOCUMENT CONTAINS CONFIDENTIAL INFORMATION
WHICH MUST NOT BE DISCLOSED TO ANY PERSON
WITHOUT OUR PRIOR AUTHORITY IN WRITING.



ITEM	QTY.	PART No.	DESCRIPTION
1	2	90213	SLOTTED SPRING PIN Ø8 x 85.0
2	1	90033	REAR COUPLING 80 INCH



TITLE

90258 – REAR COUPLING ASSEMBLY 80 INCH

DOCUMENT

90269 - CNH T6 Hi-Crop Parts Book 2017-06-19.pptx

DATE

2017-06-19

DRAWN

RT

CHECKED

JSM

APPROVED

EM



PREPARED BY



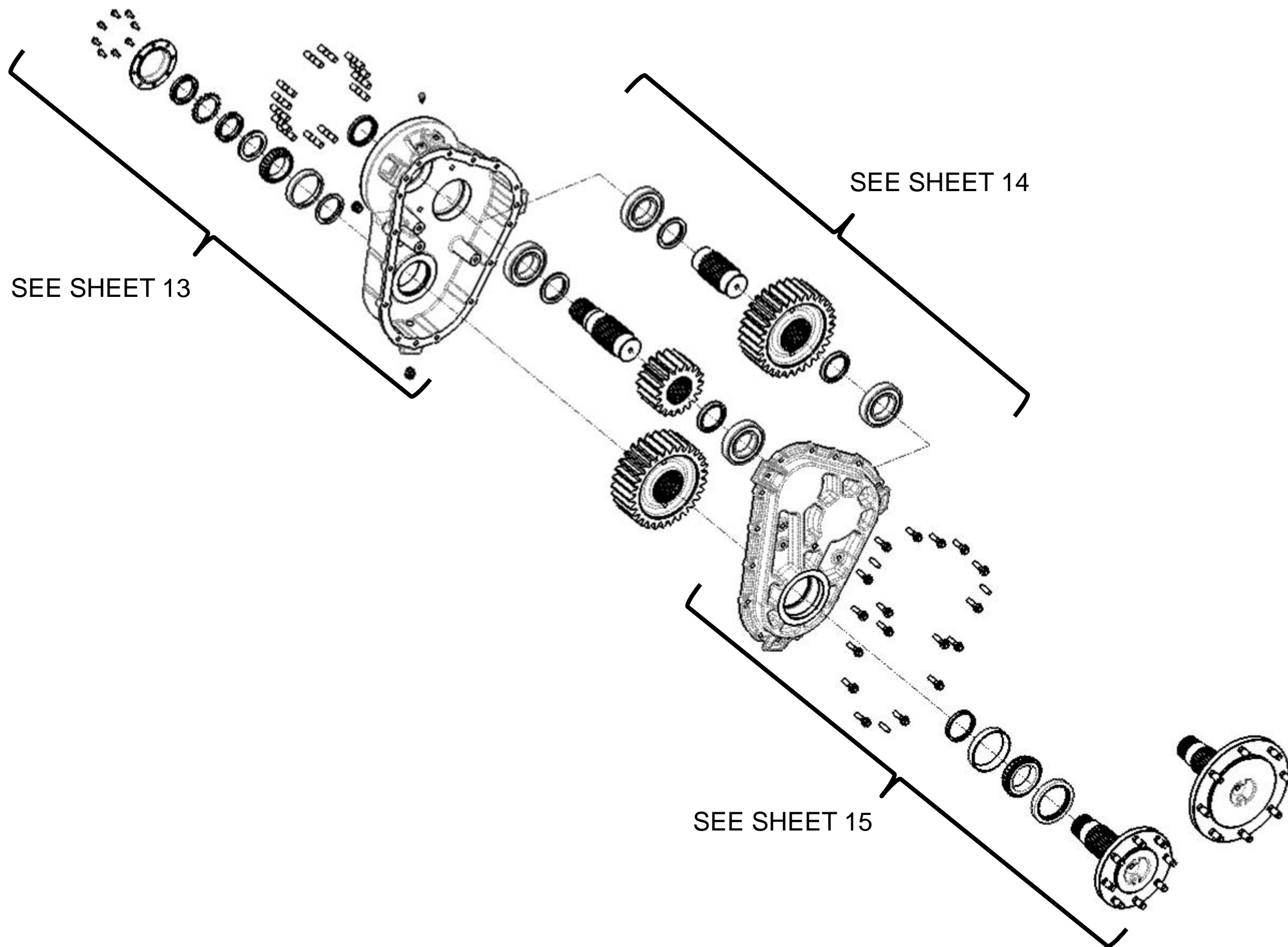
DESCRIPTION

CNH T6 Hi-Crop Parts Book

COUNTY PART NUMBER

Sheet 11
of 21

COUNTY COPYRIGHT ©
THIS DOCUMENT CONTAINS CONFIDENTIAL INFORMATION
WHICH MUST NOT BE DISCLOSED TO ANY PERSON
WITHOUT OUR PRIOR AUTHORITY IN WRITING.



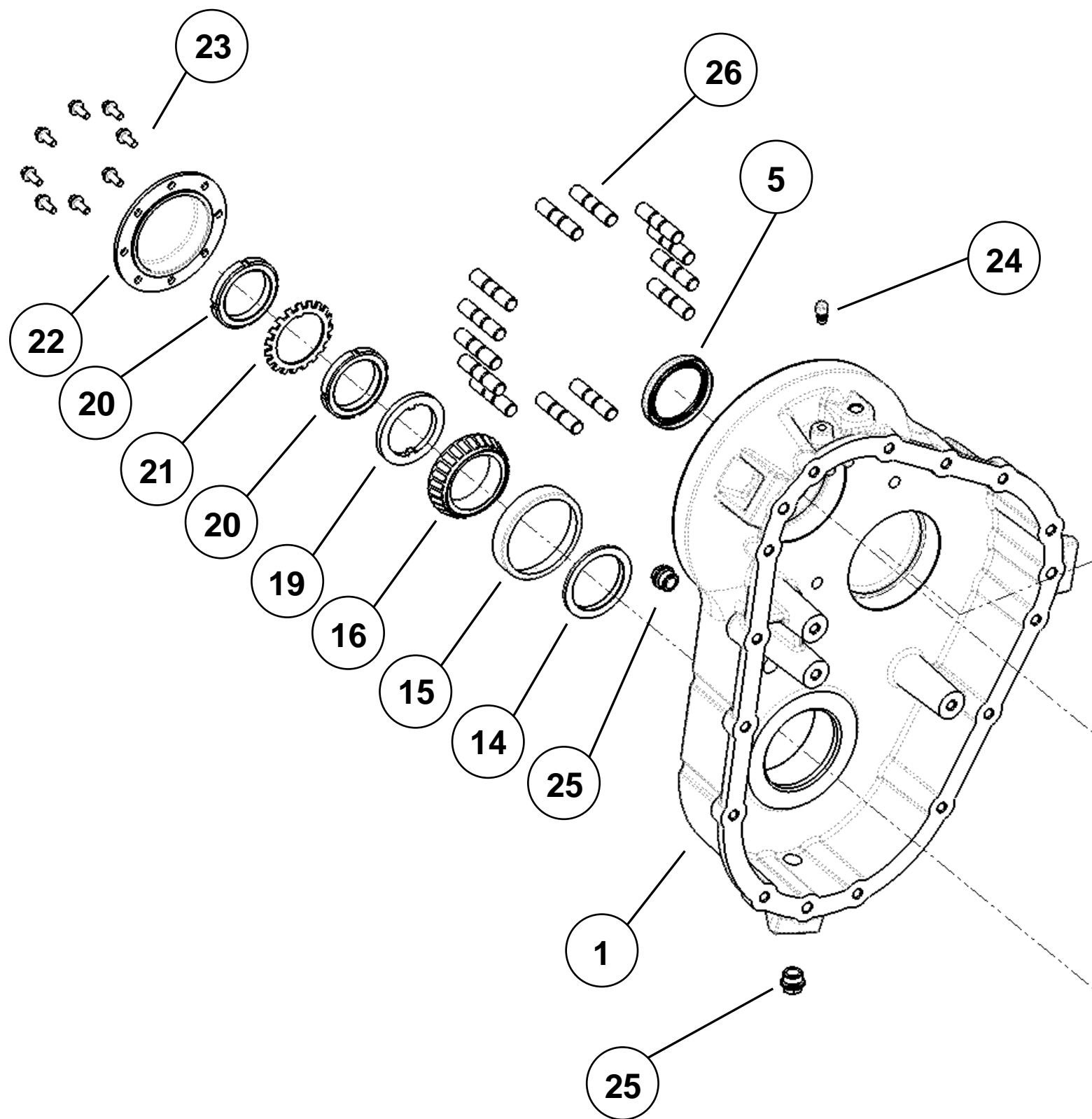
TITLE					
90116 – REAR DROP HOUSING ASSEMBLY RH					
DOCUMENT		DATE	DRAWN	CHECKED	APPROVED
90269 - CNH T6 Hi-Crop Parts Book 2017-06-19.pptx		2017-06-19	RT	JSM	EM



PREPARED BY GROVE AUTOMOTIVE

DESCRIPTION	COUNTY PART NUMBER	Sheet 12 of 21
CNH T6 Hi-Crop Parts Book		

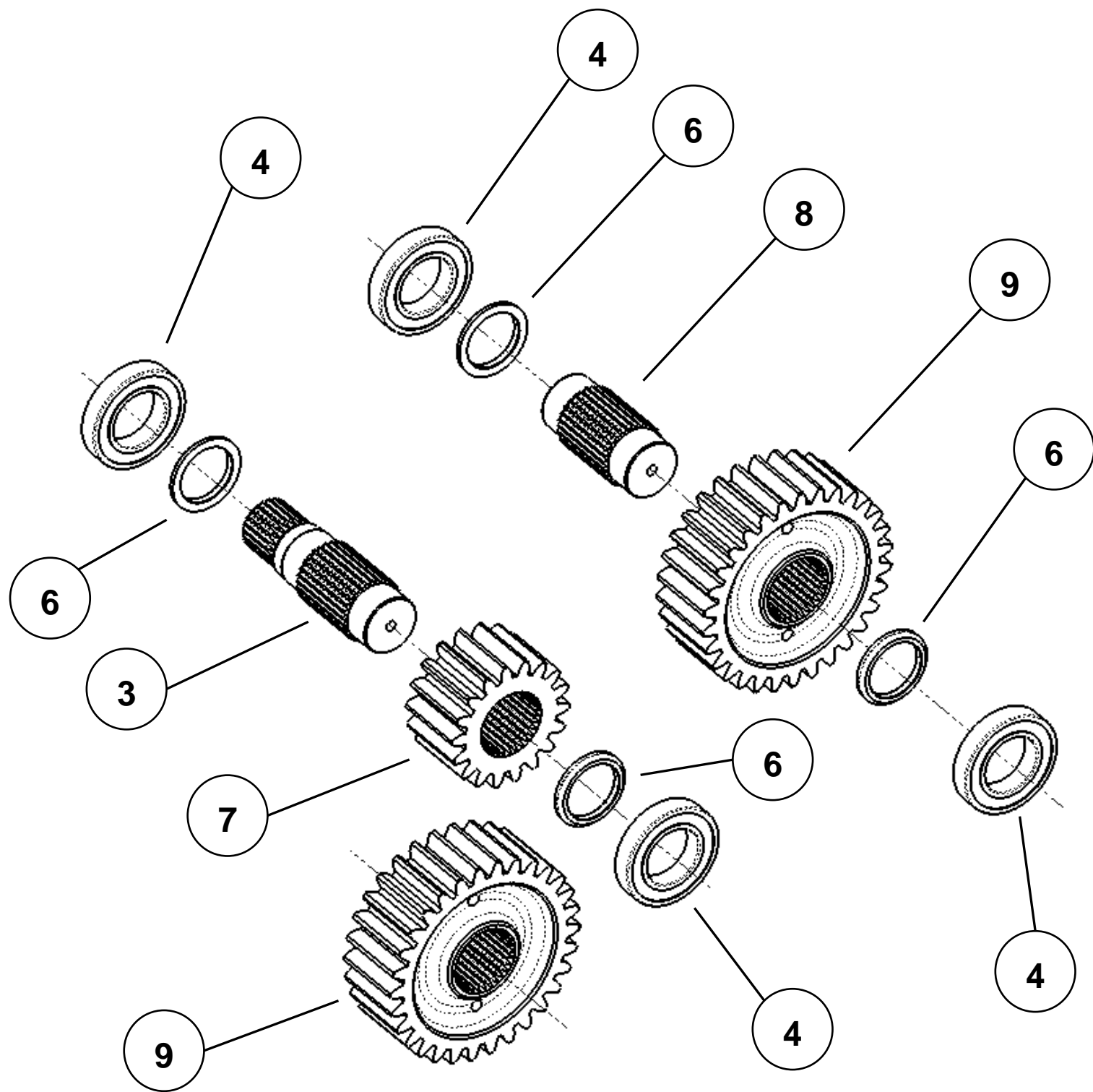
COUNTY COPYRIGHT ©
THIS DOCUMENT CONTAINS CONFIDENTIAL INFORMATION
WHICH MUST NOT BE DISCLOSED TO ANY PERSON
WITHOUT OUR PRIOR AUTHORITY IN WRITING.



ITEM	QTY.	PART No.	DESCRIPTION	SUPPLIER	SUPPLIER No.
1	1	90089	REAR DROP HOUSING RH		
2	1	90091	REAR CASING COVER RH		
3	1	90013	INPUT SHAFT		
4	4	90149	BRG-DG-2RS 70.0 x 125.0 x 24.0	SKF	6214-2RS1
5	1	90146	SEAL - 68 x 90 x 10 TYPE A	BARNWELL	A - 68 x 90 x 10
6	4	90107	INPUT GEAR COLLAR		
7	1	90110	GEAR INPUT (SPUR)		
8	1	90101	IDLER SHAFT - REAR		
9	2	90111	GEAR IDLER (SPUR)		
10	1	90113	OUTPUT GEAR COLLAR OUTSIDE		
11	1	90144	BRG-TR 80.0 x 125.0 x 29.0 OUTER RACE	SKF	32016 X
12	1	90144	BRG-TR 80.0 x 125.0 x 29.0 INNER RACE	SKF	32016 X
13	1	90143	SEAL - 100 x 130 x 16 TYPE AS	CNH	5149310
14	1	90114	OUTPUT GEAR COLLAR INSIDE		
15	1	90145	BRG-TR 70.0 x 110.0 x 25.0 OUTER RACE	SKF	32014 X
16	1	90145	BRG-TR 70.0 x 110.0 x 25.0 INNER RACE	SKF	32014 X
17	3	90136	DOWEL Ø12.0 x 40.0	COUNTY	90136
18	17	90139	BOLT HEX FLG HD M12-1.75 x 45.0		
19	1	90294	OUTPUT SHAFT LOCK NUT SPACER		
20	2	90137	M65 x 2 LOCK NUT	SKF	KM13
21	1	90201	M65-2.5 LOCKING WASHER	SKF	MB13A
22	1	90098	OUTPUT SHAFT CAP		
23	8	90256	SCREW HEX FLG HD M8-1.25 x 20.0		
24	1		BREATHER CARTRIDGE 1-8 NPT	CNH	21T-4022
25	2		PLUG MAGNETIC M22-1.5	CNH	1-43265-40
26	13	90135	STUD M16 x 72		
27	1	90263	OUTPUT SHAFT ASSEMBLY - STUD PCD 203.2		
28	1	90283	OUTPUT SHAFT ASSEMBLY - STUD PCD 275		




ITEMS 11 AND 12 REFER TO INNER AND OUTER RACES OF THE SAME BEARING
 ITEMS 15 AND 16 REFER TO INNER AND OUTER RACES OF THE SAME BEARING

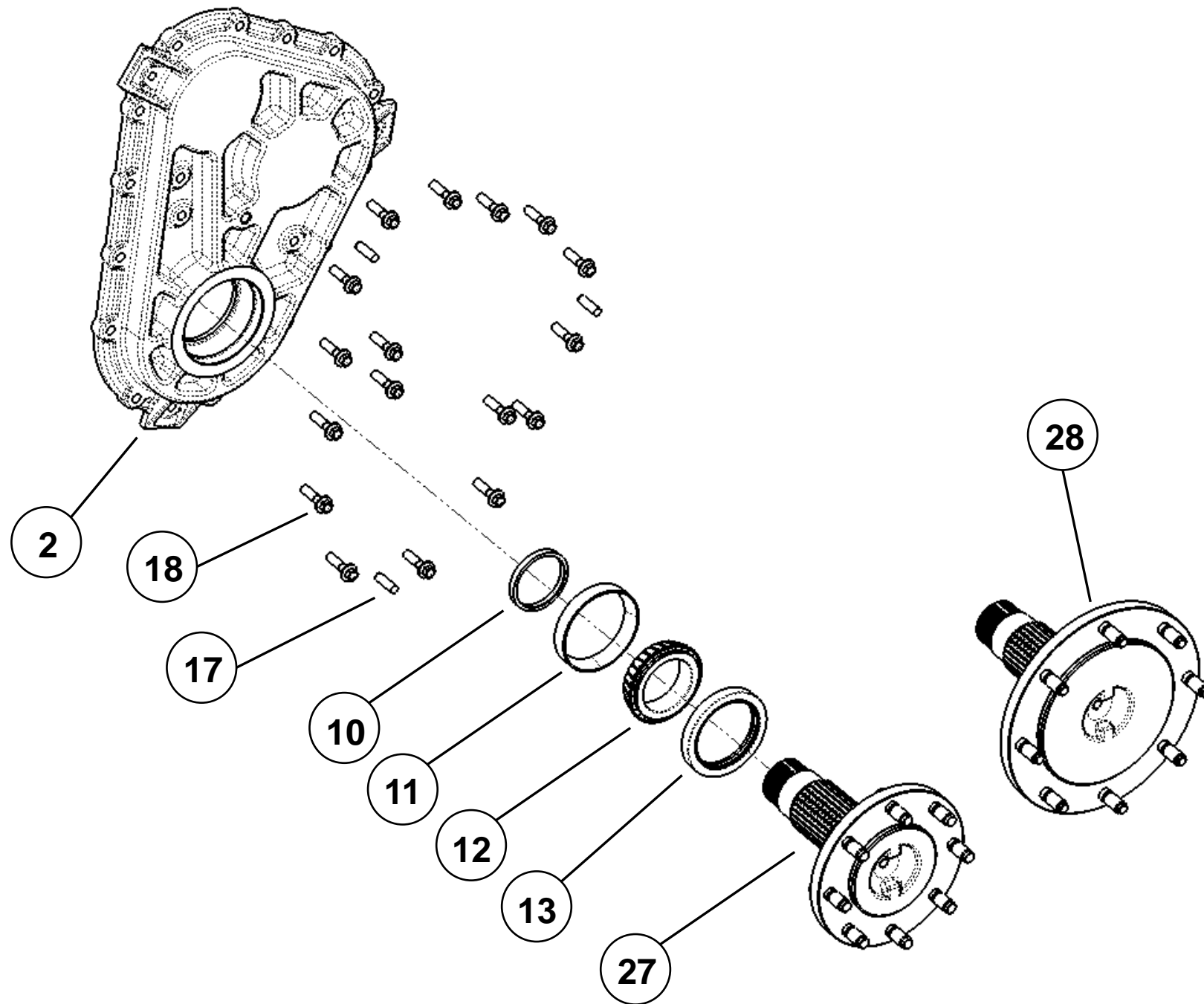
	TITLE 90116 – REAR DROP HOUSING ASSEMBLY RH				
	DOCUMENT 90269 - CNH T6 Hi-Crop Parts Book 2017-06-19.pptx	DATE 2017-06-19	DRAWN RT	CHECKED JSM	
PREPARED BY 	DESCRIPTION CNH T6 Hi-Crop Parts Book		COUNTY PART NUMBER	Sheet 13 of 21	COUNTY COPYRIGHT © THIS DOCUMENT CONTAINS CONFIDENTIAL INFORMATION WHICH MUST NOT BE DISCLOSED TO ANY PERSON WITHOUT OUR PRIOR AUTHORITY IN WRITING.



ITEM	QTY.	PART No.	DESCRIPTION	SUPPLIER	SUPPLIER No.
1	1	90089	REAR DROP HOUSING RH		
2	1	90091	REAR CASING COVER RH		
3	1	90013	INPUT SHAFT		
4	4	90149	BRG-DG-2RS 70.0 x 125.0 x 24.0	SKF	6214-2RS1
5	1	90146	SEAL - 68 x 90 x 10 TYPE A	BARNWELL	A - 68 x 90 x 10
6	4	90107	INPUT GEAR COLLAR		
7	1	90110	GEAR INPUT (SPUR)		
8	1	90101	IDLER SHAFT - REAR		
9	2	90111	GEAR IDLER (SPUR)		
10	1	90113	OUTPUT GEAR COLLAR OUTSIDE		
11	1	90144	BRG-TR 80.0 x 125.0 x 29.0 OUTER RACE	SKF	32016 X
12	1	90144	BRG-TR 80.0 x 125.0 x 29.0 INNER RACE	SKF	32016 X
13	1	90143	SEAL - 100 x 130 x 16 TYPE AS	CNH	5149310
14	1	90114	OUTPUT GEAR COLLAR INSIDE		
15	1	90145	BRG-TR 70.0 x 110.0 x 25.0 OUTER RACE	SKF	32014 X
16	1	90145	BRG-TR 70.0 x 110.0 x 25.0 INNER RACE	SKF	32014 X
17	3	90136	DOWEL Ø12.0 x 40.0	COUNTY	90136
18	17	90139	BOLT HEX FLG HD M12-1.75 x 45.0		
19	1	90294	OUTPUT SHAFT LOCK NUT SPACER		
20	2	90137	M65 x 2 LOCK NUT	SKF	KM13
21	1	90201	M65-2.5 LOCKING WASHER	SKF	MB13A
22	1	90098	OUTPUT SHAFT CAP		
23	8	90256	SCREW HEX FLG HD M8-1.25 x 20.0		
24	1		BREATHER CARTRIDGE 1-8 NPT	CNH	21T-4022
25	2		PLUG MAGNETIC M22-1.5	CNH	1-43265-40
26	13	90135	STUD M16 x 72		
27	1	90263	OUTPUT SHAFT ASSEMBLY - STUD PCD 203.2		
28	1	90283	OUTPUT SHAFT ASSEMBLY - STUD PCD 275		

ITEMS 11 AND 12 REFER TO INNER AND OUTER RACES OF THE SAME BEARING
 ITEMS 15 AND 16 REFER TO INNER AND OUTER RACES OF THE SAME BEARING

	TITLE <h2 style="text-align: center;">90116 – REAR DROP HOUSING ASSEMBLY RH</h2>					
	DOCUMENT 90269 - CNH T6 Hi-Crop Parts Book 2017-06-19.pptx		DATE 2017-06-19	DRAWN RT		
PREPARED BY 	DESCRIPTION <h3 style="text-align: center;">CNH T6 Hi-Crop Parts Book</h3>		COUNTY PART NUMBER		Sheet 14 of 21	
COUNTY COPYRIGHT © THIS DOCUMENT CONTAINS CONFIDENTIAL INFORMATION WHICH MUST NOT BE DISCLOSED TO ANY PERSON WITHOUT OUR PRIOR AUTHORITY IN WRITING.						

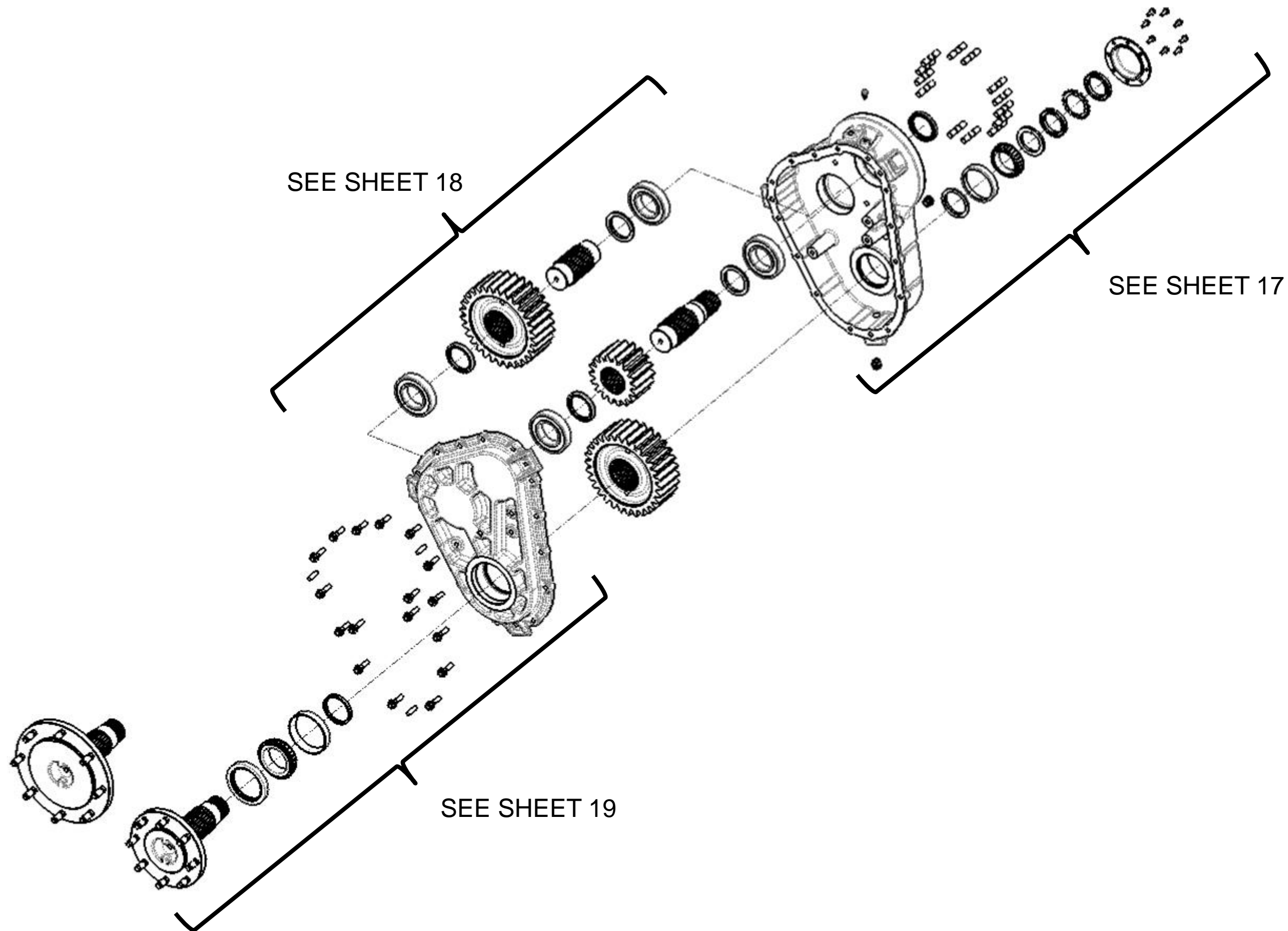


ITEM	QTY.	PART No.	DESCRIPTION	SUPPLIER	SUPPLIER No.
1	1	90089	REAR DROP HOUSING RH		
2	1	90091	REAR CASING COVER RH		
3	1	90013	INPUT SHAFT		
4	4	90149	BRG-DG-2RS 70.0 x 125.0 x 24.0	SKF	6214-2RS1
5	1	90146	SEAL - 68 x 90 x 10 TYPE A	BARNWELL	A - 68 x 90 x 10
6	4	90107	INPUT GEAR COLLAR		
7	1	90110	GEAR INPUT (SPUR)		
8	1	90101	IDLER SHAFT - REAR		
9	2	90111	GEAR IDLER (SPUR)		
10	1	90113	OUTPUT GEAR COLLAR OUTSIDE		
11	1	90144	BRG-TR 80.0 x 125.0 x 29.0 OUTER RACE	SKF	32016 X
12	1	90144	BRG-TR 80.0 x 125.0 x 29.0 INNER RACE	SKF	32016 X
13	1	90143	SEAL - 100 x 130 x 16 TYPE AS	CNH	5149310
14	1	90114	OUTPUT GEAR COLLAR INSIDE		
15	1	90145	BRG-TR 70.0 x 110.0 x 25.0 OUTER RACE	SKF	32014 X
16	1	90145	BRG-TR 70.0 x 110.0 x 25.0 INNER RACE	SKF	32014 X
17	3	90136	DOWEL Ø12.0 x 40.0	COUNTY	90136
18	17	90139	BOLT HEX FLG HD M12-1.75 x 45.0		
19	1	90294	OUTPUT SHAFT LOCK NUT SPACER		
20	2	90137	M65 x 2 LOCK NUT	SKF	KM13
21	1	90201	M65-2.5 LOCKING WASHER	SKF	MB13A
22	1	90098	OUTPUT SHAFT CAP		
23	8	90256	SCREW HEX FLG HD M8-1.25 x 20.0		
24	1		BREATHER CARTRIDGE 1-8 NPT	CNH	21T-4022
25	2		PLUG MAGNETIC M22-1.5	CNH	1-43265-40
26	13	90135	STUD M16 x 72		
27	1	90263	OUTPUT SHAFT ASSEMBLY - STUD PCD 203.2		
28	1	90283	OUTPUT SHAFT ASSEMBLY - STUD PCD 275		

- Early Hi-Crop Kit uses Item 27, Stud PCD 203.2.
- Later Hi-Crop Kit uses Item 28, Stud PCD 275.

ITEMS 11 AND 12 REFER TO INNER AND OUTER RACES OF THE SAME BEARING
 ITEMS 15 AND 16 REFER TO INNER AND OUTER RACES OF THE SAME BEARING

	TITLE <h2 style="text-align: center;">90116 – REAR DROP HOUSING ASSEMBLY RH</h2>						
	DOCUMENT 90269 - CNH T6 Hi-Crop Parts Book 2017-06-19.pptx		DATE 2017-06-19	DRAWN RT			CHECKED JSM
PREPARED BY 	DESCRIPTION <h3 style="text-align: center;">CNH T6 Hi-Crop Parts Book</h3>			COUNTY PART NUMBER		Sheet 15 of 21	COUNTY COPYRIGHT © THIS DOCUMENT CONTAINS CONFIDENTIAL INFORMATION WHICH MUST NOT BE DISCLOSED TO ANY PERSON WITHOUT OUR PRIOR AUTHORITY IN WRITING.



SEE SHEET 18

SEE SHEET 17

SEE SHEET 19



TITLE

90118 – REAR DROP HOUSING ASSEMBLY LH

DOCUMENT

90269 - CNH T6 Hi-Crop Parts Book 2017-06-19.pptx

DATE

2017-06-19

DRAWN

RT

CHECKED

JSM

APPROVED

EM



PREPARED BY



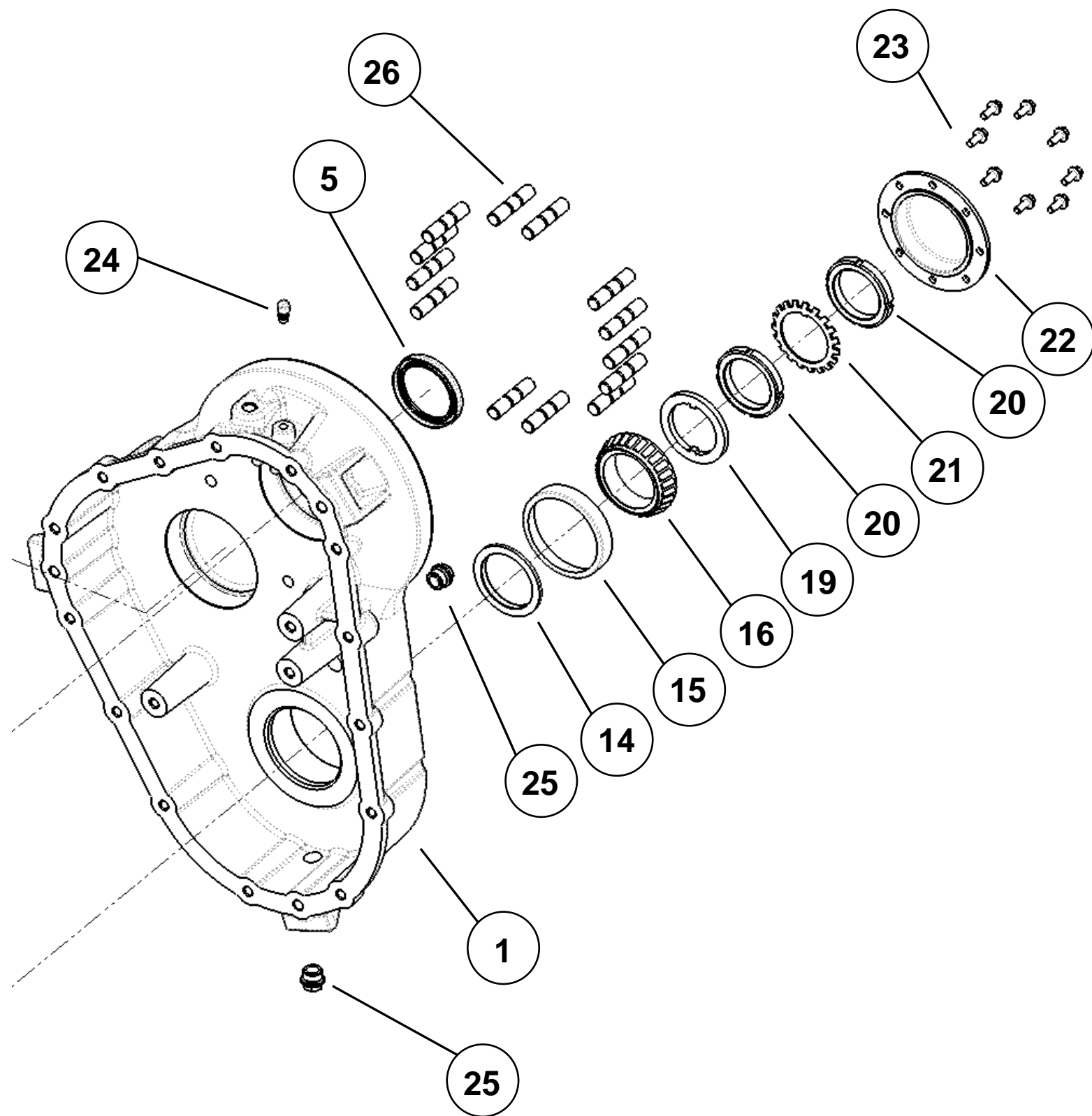
DESCRIPTION

CNH T6 Hi-Crop Parts Book

COUNTY PART NUMBER




Sheet **16**
of **21**

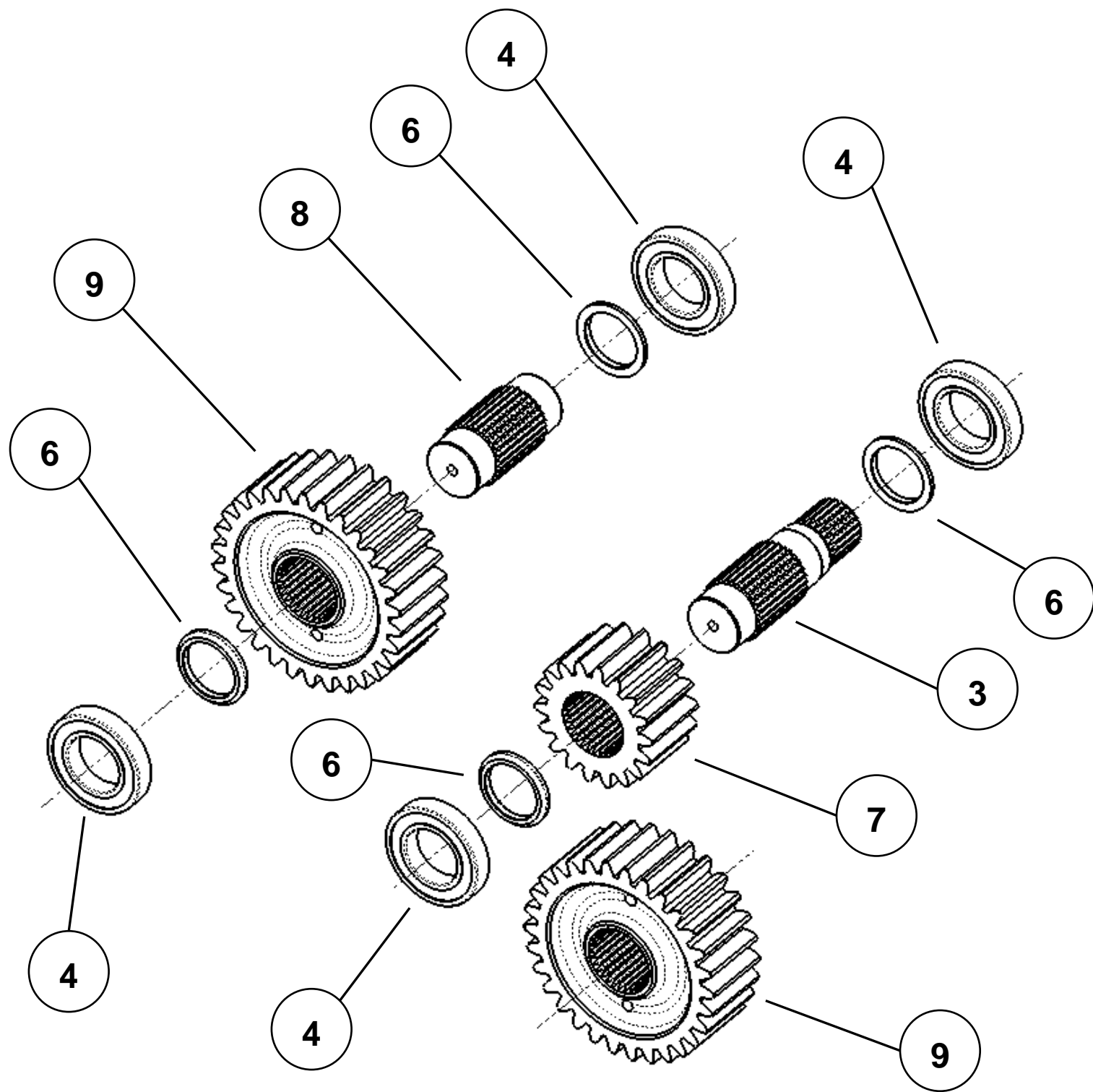
COUNTY COPYRIGHT ©
THIS DOCUMENT CONTAINS CONFIDENTIAL INFORMATION
WHICH MUST NOT BE DISCLOSED TO ANY PERSON
WITHOUT OUR PRIOR AUTHORITY IN WRITING.



ITEM	QTY.	PART No.	DESCRIPTION	SUPPLIER	SUPPLIER No.
1	1	90089	REAR DROP HOUSING RH		
2	1	90091	REAR CASING COVER RH		
3	1	90013	INPUT SHAFT		
4	4	90149	BRG-DG-2RS 70.0 x 125.0 x 24.0	SKF	6214-2RS1
5	1	90146	SEAL - 68 x 90 x 10 TYPE A	BARNWELL	A - 68 x 90 x 10
6	4	90107	INPUT GEAR COLLAR		
7	1	90110	GEAR INPUT (SPUR)		
8	1	90101	IDLER SHAFT - REAR		
9	2	90111	GEAR IDLER (SPUR)		
10	1	90113	OUTPUT GEAR COLLAR OUTSIDE		
11	1	90144	BRG-TR 80.0 x 125.0 x 29.0 OUTER RACE	SKF	32016 X
12	1	90144	BRG-TR 80.0 x 125.0 x 29.0 INNER RACE	SKF	32016 X
13	1	90143	SEAL - 100 x 130 x 16 TYPE AS	CNH	5149310
14	1	90114	OUTPUT GEAR COLLAR INSIDE		
15	1	90145	BRG-TR 70.0 x 110.0 x 25.0 OUTER RACE	SKF	32014 X
16	1	90145	BRG-TR 70.0 x 110.0 x 25.0 INNER RACE	SKF	32014 X
17	3	90136	DOWEL Ø12.0 x 40.0	COUNTY	90136
18	17	90139	BOLT HEX FLG HD M12-1.75 x 45.0		
19	1	90294	OUTPUT SHAFT LOCK NUT SPACER		
20	2	90137	M65 x 2 LOCK NUT	SKF	KM13
21	1	90201	M65-2.5 LOCKING WASHER	SKF	MB13A
22	1	90098	OUTPUT SHAFT CAP		
23	8	90256	SCREW HEX FLG HD M8-1.25 x 20.0		
24	1		BREATHER CARTRIDGE 1-8 NPT	CNH	21T-4022
25	2		PLUG MAGNETIC M22-1.5	CNH	1-43265-40
26	13	90135	STUD M16 x 72		
27	1	90263	OUTPUT SHAFT ASSEMBLY - STUD PCD 203.2		
28	1	90283	OUTPUT SHAFT ASSEMBLY - STUD PCD 275		




ITEMS 11 AND 12 REFER TO INNER AND OUTER RACES OF THE SAME BEARING
 ITEMS 15 AND 16 REFER TO INNER AND OUTER RACES OF THE SAME BEARING

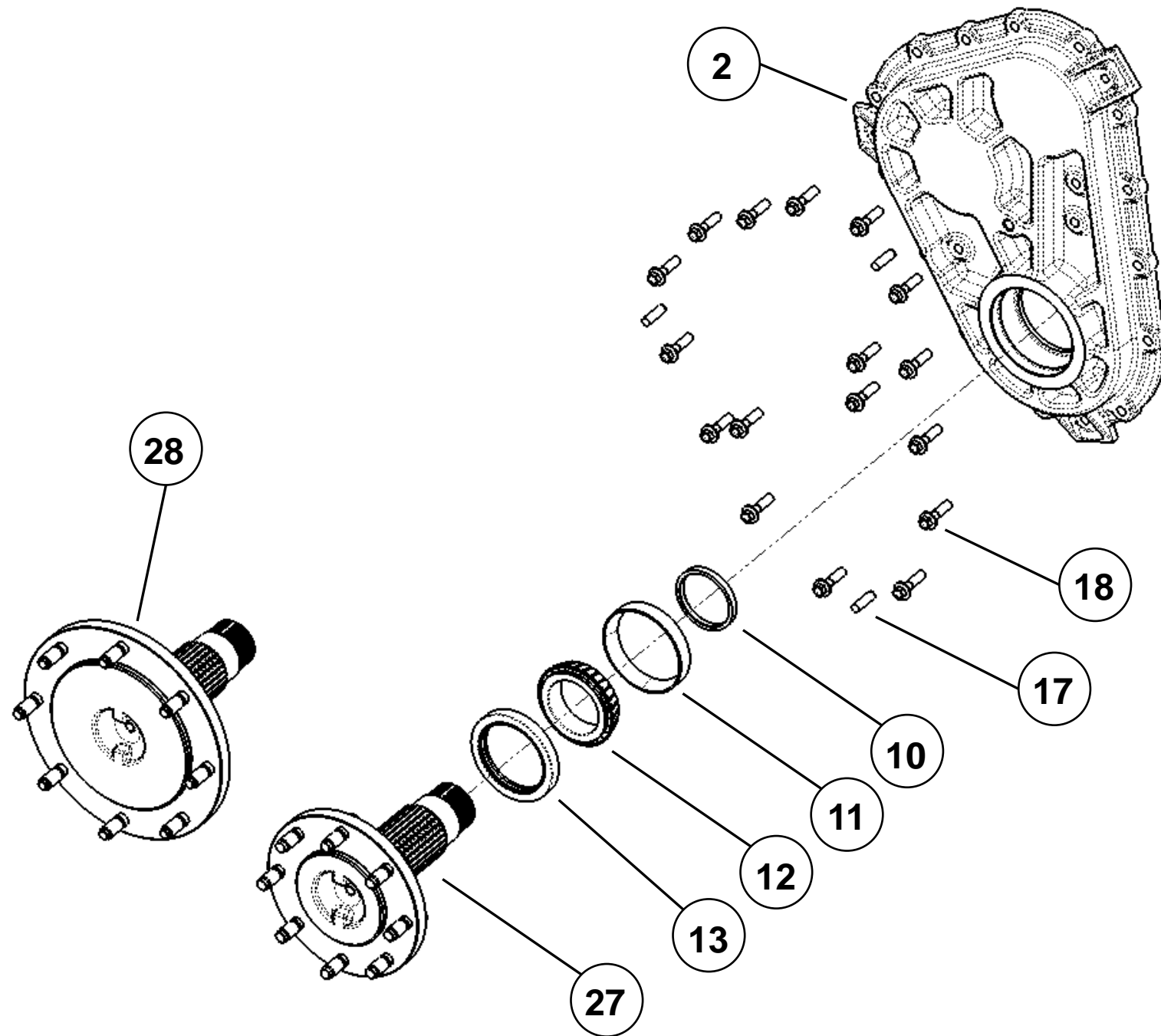
	TITLE <h2 style="text-align: center;">90118 – REAR DROP HOUSING ASSEMBLY LH</h2>						
	DOCUMENT 90269 - CNH T6 Hi-Crop Parts Book 2017-06-19.pptx		DATE 2017-06-19	DRAWN RT			CHECKED JSM
PREPARED BY 	DESCRIPTION <h3 style="text-align: center;">CNH T6 Hi-Crop Parts Book</h3>		COUNTY PART NUMBER		Sheet 17 of 21		COUNTY COPYRIGHT © THIS DOCUMENT CONTAINS CONFIDENTIAL INFORMATION WHICH MUST NOT BE DISCLOSED TO ANY PERSON WITHOUT OUR PRIOR AUTHORITY IN WRITING.



ITEM	QTY.	PART No.	DESCRIPTION	SUPPLIER	SUPPLIER No.
1	1	90089	REAR DROP HOUSING RH		
2	1	90091	REAR CASING COVER RH		
3	1	90013	INPUT SHAFT		
4	4	90149	BRG-DG-2RS 70.0 x 125.0 x 24.0	SKF	6214-2RS1
5	1	90146	SEAL - 68 x 90 x 10 TYPE A	BARNWELL	A - 68 x 90 x 10
6	4	90107	INPUT GEAR COLLAR		
7	1	90110	GEAR INPUT (SPUR)		
8	1	90101	IDLER SHAFT - REAR		
9	2	90111	GEAR IDLER (SPUR)		
10	1	90113	OUTPUT GEAR COLLAR OUTSIDE		
11	1	90144	BRG-TR 80.0 x 125.0 x 29.0 OUTER RACE	SKF	32016 X
12	1	90144	BRG-TR 80.0 x 125.0 x 29.0 INNER RACE	SKF	32016 X
13	1	90143	SEAL - 100 x 130 x 16 TYPE AS	CNH	5149310
14	1	90114	OUTPUT GEAR COLLAR INSIDE		
15	1	90145	BRG-TR 70.0 x 110.0 x 25.0 OUTER RACE	SKF	32014 X
16	1	90145	BRG-TR 70.0 x 110.0 x 25.0 INNER RACE	SKF	32014 X
17	3	90136	DOWEL Ø12.0 x 40.0	COUNTY	90136
18	17	90139	BOLT HEX FLG HD M12-1.75 x 45.0		
19	1	90294	OUTPUT SHAFT LOCK NUT SPACER		
20	2	90137	M65 x 2 LOCK NUT	SKF	KM13
21	1	90201	M65-2.5 LOCKING WASHER	SKF	MB13A
22	1	90098	OUTPUT SHAFT CAP		
23	8	90256	SCREW HEX FLG HD M8-1.25 x 20.0		
24	1		BREATHER CARTRIDGE 1-8 NPT	CNH	21T-4022
25	2		PLUG MAGNETIC M22-1.5	CNH	1-43265-40
26	13	90135	STUD M16 x 72		
27	1	90263	OUTPUT SHAFT ASSEMBLY - STUD PCD 203.2		
28	1	90283	OUTPUT SHAFT ASSEMBLY - STUD PCD 275		

ITEMS 11 AND 12 REFER TO INNER AND OUTER RACES OF THE SAME BEARING
 ITEMS 15 AND 16 REFER TO INNER AND OUTER RACES OF THE SAME BEARING

	TITLE <h2 style="text-align: center;">90118 – REAR DROP HOUSING ASSEMBLY LH</h2>						
	DOCUMENT 90269 - CNH T6 Hi-Crop Parts Book 2017-06-19.pptx		DATE 2017-06-19	DRAWN RT			CHECKED JSM
PREPARED BY 	DESCRIPTION <h3 style="text-align: center;">CNH T6 Hi-Crop Parts Book</h3>		COUNTY PART NUMBER		Sheet 18 of 21		COUNTY COPYRIGHT © THIS DOCUMENT CONTAINS CONFIDENTIAL INFORMATION WHICH MUST NOT BE DISCLOSED TO ANY PERSON WITHOUT OUR PRIOR AUTHORITY IN WRITING.

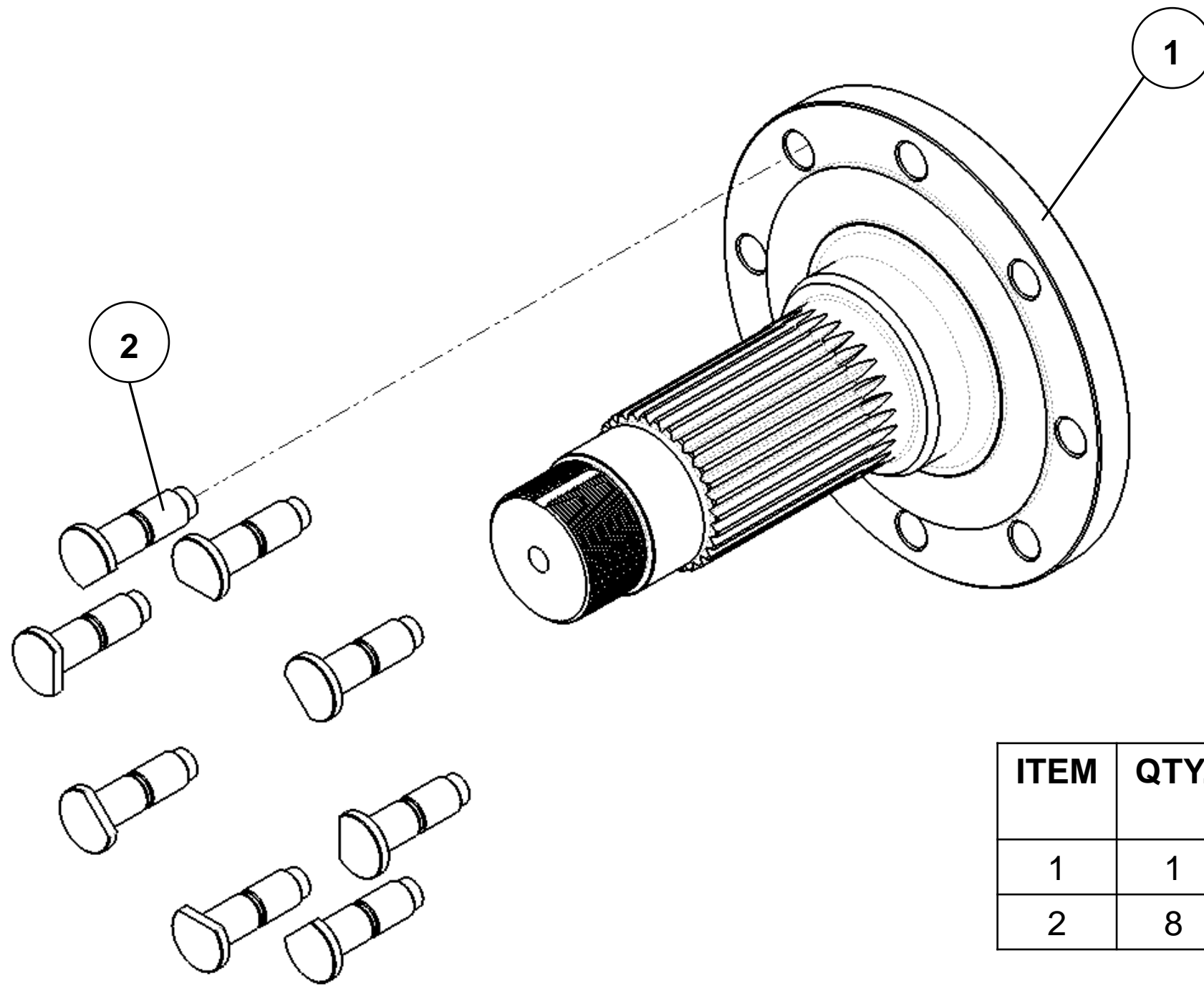


ITEM	QTY.	PART No.	DESCRIPTION	SUPPLIER	SUPPLIER No.
1	1	90089	REAR DROP HOUSING RH		
2	1	90091	REAR CASING COVER RH		
3	1	90013	INPUT SHAFT		
4	4	90149	BRG-DG-2RS 70.0 x 125.0 x 24.0	SKF	6214-2RS1
5	1	90146	SEAL - 68 x 90 x 10 TYPE A	BARNWELL	A - 68 x 90 x 10
6	4	90107	INPUT GEAR COLLAR		
7	1	90110	GEAR INPUT (SPUR)		
8	1	90101	IDLER SHAFT - REAR		
9	2	90111	GEAR IDLER (SPUR)		
10	1	90113	OUTPUT GEAR COLLAR OUTSIDE		
11	1	90144	BRG-TR 80.0 x 125.0 x 29.0 OUTER RACE	SKF	32016 X
12	1	90144	BRG-TR 80.0 x 125.0 x 29.0 INNER RACE	SKF	32016 X
13	1	90143	SEAL - 100 x 130 x 16 TYPE AS	CNH	5149310
14	1	90114	OUTPUT GEAR COLLAR INSIDE		
15	1	90145	BRG-TR 70.0 x 110.0 x 25.0 OUTER RACE	SKF	32014 X
16	1	90145	BRG-TR 70.0 x 110.0 x 25.0 INNER RACE	SKF	32014 X
17	3	90136	DOWEL Ø12.0 x 40.0	COUNTY	90136
18	17	90139	BOLT HEX FLG HD M12-1.75 x 45.0		
19	1	90294	OUTPUT SHAFT LOCK NUT SPACER		
20	2	90137	M65 x 2 LOCK NUT	SKF	KM13
21	1	90201	M65-2.5 LOCKING WASHER	SKF	MB13A
22	1	90098	OUTPUT SHAFT CAP		
23	8	90256	SCREW HEX FLG HD M8-1.25 x 20.0		
24	1		BREATHER CARTRIDGE 1-8 NPT	CNH	21T-4022
25	2		PLUG MAGNETIC M22-1.5	CNH	1-43265-40
26	13	90135	STUD M16 x 72		
27	1	90263	OUTPUT SHAFT ASSEMBLY - STUD PCD 203.2		
28	1	90283	OUTPUT SHAFT ASSEMBLY - STUD PCD 275		

- Early Hi-Crop Kit uses Item 27, Stud PCD 203.2.
- Later Hi-Crop Kit uses Item 28, Stud PCD 275.

ITEMS 11 AND 12 REFER TO INNER AND OUTER RACES OF THE SAME BEARING
 ITEMS 15 AND 16 REFER TO INNER AND OUTER RACES OF THE SAME BEARING

	TITLE <h2 style="text-align: center;">90118 – REAR DROP HOUSING ASSEMBLY LH</h2>					
	DOCUMENT 90269 - CNH T6 Hi-Crop Parts Book 2017-06-19.pptx		DATE 2017-06-19	DRAWN RT		
PREPARED BY 	DESCRIPTION <h3 style="text-align: center;">CNH T6 Hi-Crop Parts Book</h3>			COUNTY PART NUMBER		Sheet 19 of 21
COUNTY COPYRIGHT © THIS DOCUMENT CONTAINS CONFIDENTIAL INFORMATION WHICH MUST NOT BE DISCLOSED TO ANY PERSON WITHOUT OUR PRIOR AUTHORITY IN WRITING.						



ITEM	QTY.	DESCRIPTION	SUPPLIER	SUPPLIER No.
1	1	OUTPUT SHAFT - REAR	COUNTY	90023
2	8	WHEEL STUD M18	CNH	87651028



TITLE

90263 – OUTPUT SHAFT ASSEMBLY - STUD PDC 203.2

DOCUMENT

90269 - CNH T6 Hi-Crop Parts Book 2017-06-19.pptx

DATE

2017-06-19

DRAWN

RT

CHECKED

JSM

APPROVED

EM



PREPARED BY



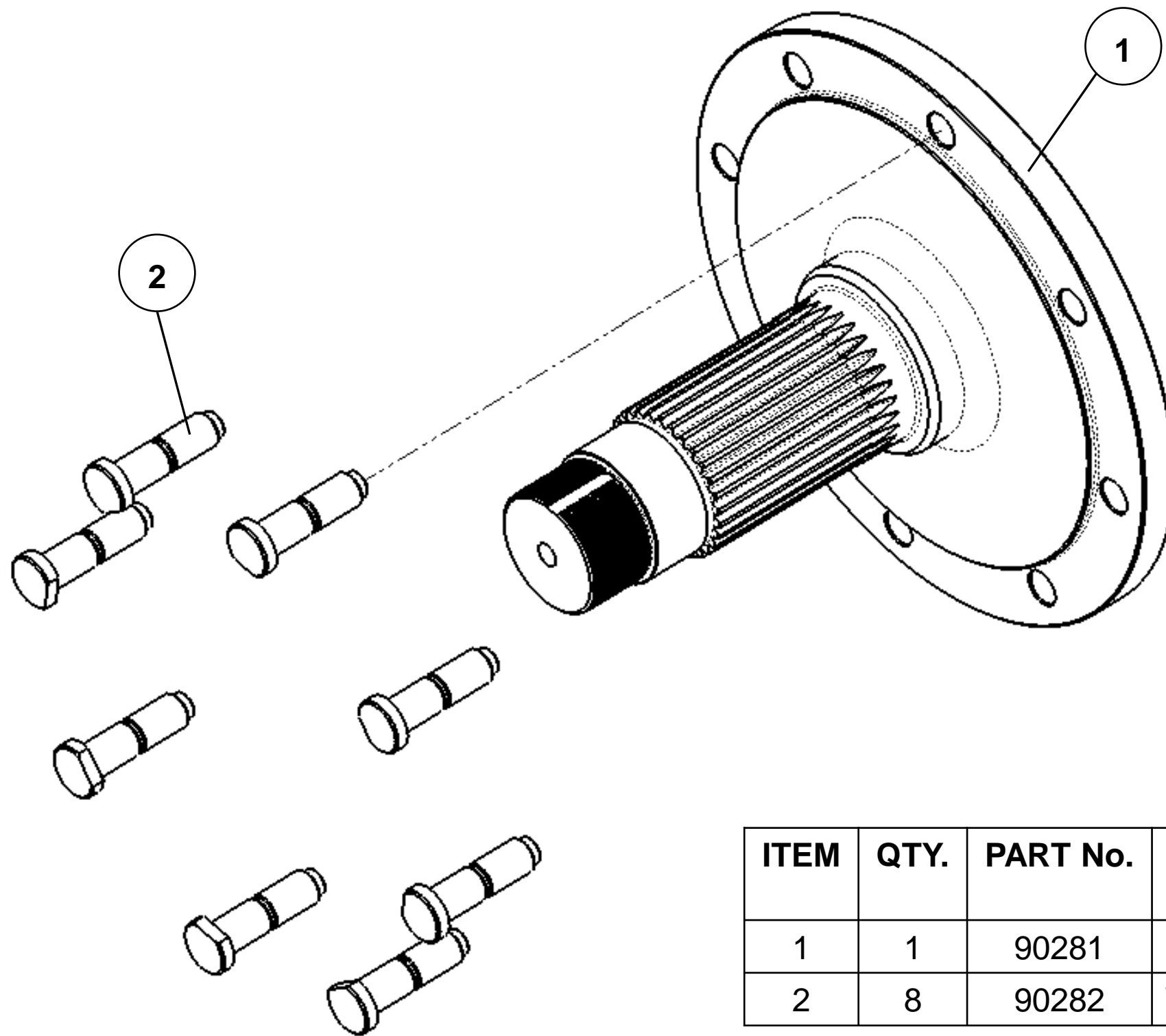
DESCRIPTION

CNH T6 Hi-Crop Parts Book

COUNTY PART NUMBER

Sheet **20**
of **21**

COUNTY COPYRIGHT ©
THIS DOCUMENT CONTAINS CONFIDENTIAL INFORMATION
WHICH MUST NOT BE DISCLOSED TO ANY PERSON
WITHOUT OUR PRIOR AUTHORITY IN WRITING.



ITEM	QTY.	PART No.	DESCRIPTION	SUPPLIER	SUPPLIER No.
1	1	90281	OUTPUT SHAFT - 90281	COUNTY	90281
2	8	90282	WHEEL STUD	CNH	87651028



TITLE
90283 – OUTPUT SHAFT ASSEMBLY – STUD PCD 275



DOCUMENT
90269 - CNH T6 Hi-Crop Parts Book 2017-06-19.pptx

DATE	DRAWN	CHECKED	APPROVED
2017-06-19	RT	JSM	EM



DESCRIPTION
CNH T6 Hi-Crop Parts Book

COUNTY PART NUMBER
Sheet **21**
of **21**

COUNTY COPYRIGHT ©
THIS DOCUMENT CONTAINS CONFIDENTIAL INFORMATION
WHICH MUST NOT BE DISCLOSED TO ANY PERSON
WITHOUT OUR PRIOR AUTHORITY IN WRITING.