

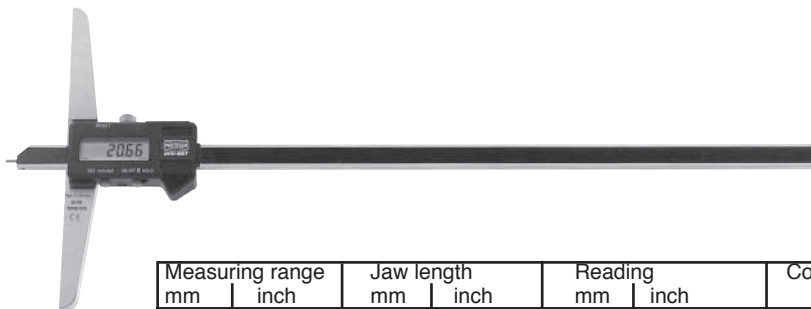
DIGI-MET depth gauges

SPECIFICATION

- Stainless steel
- LCD display 6mm
- DIN 862
- Locking screw
- Replaceable pin, dia. 2 x 8 mm
- Larger measuring ranges on application
- Supplied in wooden box

ELECTRONIC FUNCTIONS

- On / off switch
- Zero setting at any position
- mm / inch conversion
- Data output opto RS 232
- Hold function



Measuring range		Jaw length		Reading		Code No.
mm	inch	mm	inch	mm	inch	
200	8	100	4	0.01	0.0005	101/ 0276 700
300	12	150	6	0.01	0.0005	101/ 0276 701

Replacement pin for DIGI-MET vernier depth gauges: **Code No. 101/ 0276 711**

DIGI-MET small depth gauge

SPECIFICATION

- Stainless steel
- LCD display 6mm
- DIN 862
- Measuring pin dia. 2 mm
- Supplied in wooden box

ELECTRONIC FUNCTIONS

- On / off switch
- Zero setting at any position
- mm / inch conversion
- Data output opto RS 232
- Hold function



Measuring range		Jaw length		Reading		Code No.
mm	inch	mm	inch	mm	inch	
25	1	48	1.97	0.01	0.0005	101/ 0277 701

DIGI-MET depth gauges

SPECIFICATION

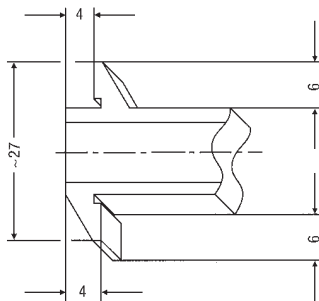
- Stainless steel
- LCD display 6mm
- Offset measuring rod
- Locking screw
- Larger ranges available
- Supplied in wooden box

ELECTRONIC FUNCTIONS

- On / off switch
- Zero setting at any position
- mm / inch conversion
- Data output opto RS 232
- Hold function



Measuring range		Jaw length		Reading		Code No.
mm	inch	mm	inch	mm	inch	
200	8	100	4	0.01	0.0005	101/ 0278 700
300	12	150	6	0.01	0.0005	101/ 0278 701



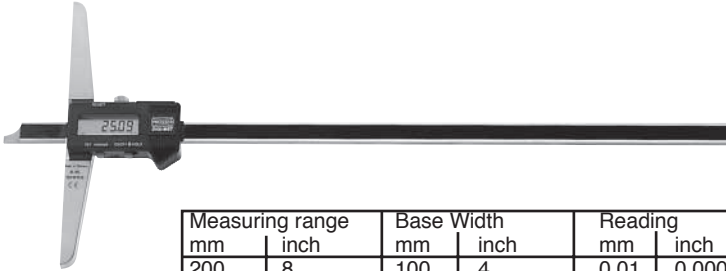
DIGI-MET depth gauges

SPECIFICATION

- Stainless steel
- LCD display 6mm
- Straight measuring rod
- Locking screw
- DIN 862
- Supplied in wooden box

ELECTRONIC FUNCTIONS

- On / off switch
- Zero setting at any point
- mm / inch conversion
- Data output opto RS 232
- Hold function



Measuring range		Base Width		Reading		Code No.
mm	inch	mm	inch	mm	inch	
200	8	100	4	0.01	0.0005	101/ 0274 700
300	12	150	6	0.01	0.0005	101/ 0274 701
500	20	150	6	0.01	0.0005	101/ 0274 702
1000	40	250		0.01	0.0005	101/ 0274 704
1500	60	250		0.01	0.0005	101/ 0274 712
2000	79	250		0.01	0.0005	101/ 0274 713

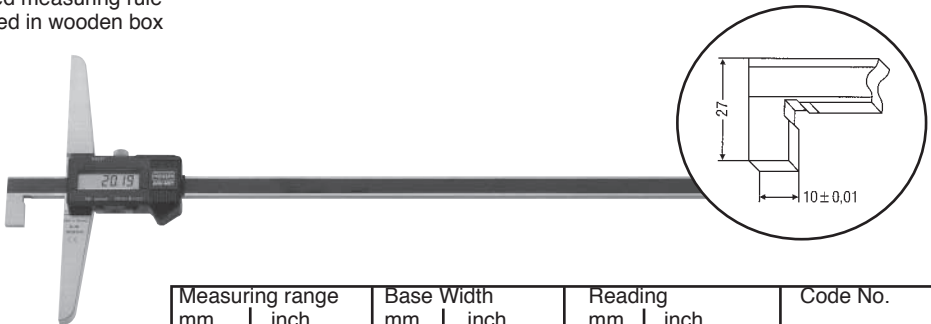
DIGI-MET depth gauges

SPECIFICATION

- Stainless steel
- LCD display 6mm
- DIN 862
- Locking screw
- Larger measuring ranges on application
- L-ended measuring rule
- Supplied in wooden box

ELECTRONIC FUNCTIONS

- On / off switch
- Zero setting at any point
- mm / inch conversion
- Data output opto RS 232
- Hold function



Measuring range		Base Width		Reading		Code No.
mm	inch	mm	inch	mm	inch	
300	12	150	6	0.01	0.0005	101/ 0275 701
500	20	150	6	0.01	0.0005	101/ 0275 702