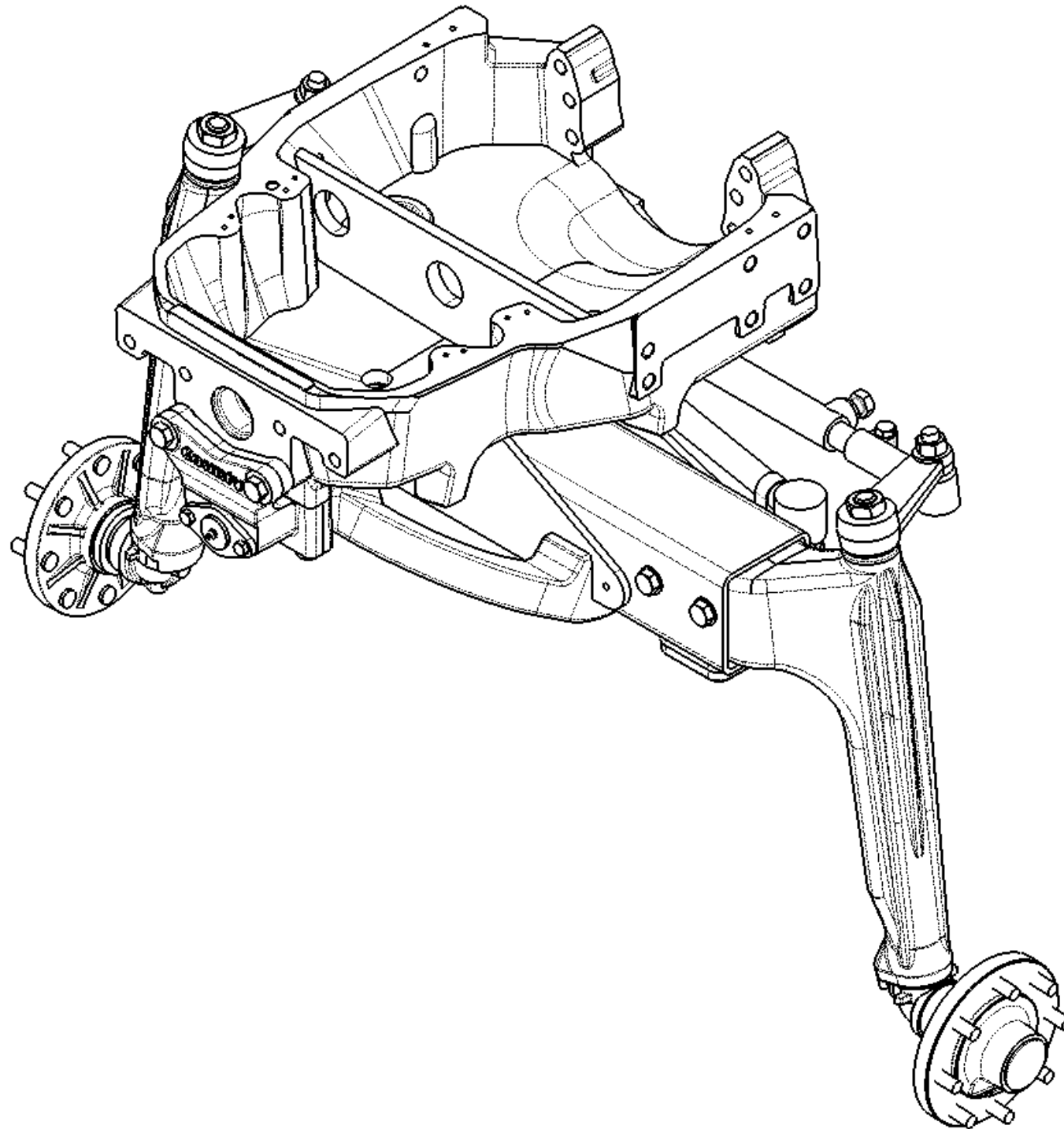



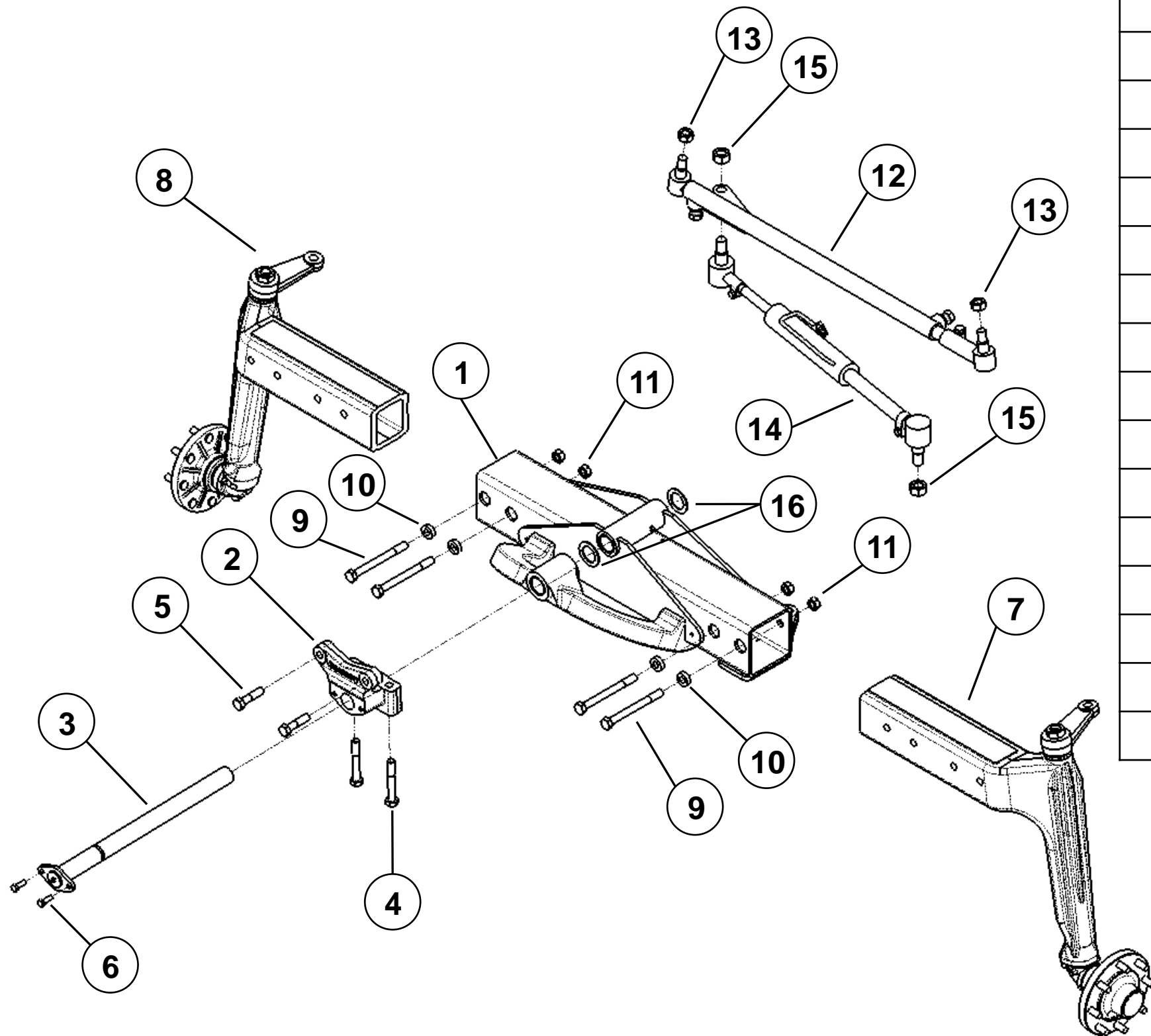


90250 - CNH T6 Hi-Crop 2WD FRONT AXLE ASSEMBLY



| | | | | | | |
|---|--|---------------------------|---------------------------|-----------------------|---|--|
|  | TITLE 90250 - CNH T6 Hi-Crop 2WD FRONT AXLE ASSEMBLY | | | |  | |
| | DOCUMENT 90250 - CNH T6 Hi-Crop 2WD FRONT AXLE ASSEMBLY.pptx | DATE 2017-07-19 | DRAWN RT | CHECKED JSM | | |
| PREPARED BY  | DESCRIPTION CNH Hi-Crop Parts Book | | COUNTY PART NUMBER | Sheet 1 of 9 | | COUNTY COPYRIGHT © THIS DOCUMENT CONTAINS CONFIDENTIAL INFORMATION WHICH MUST NOT BE DISCLOSED TO ANY PERSON WITHOUT OUR PRIOR AUTHORITY IN WRITING. |



| ITEM | QTY. | DESCRIPTION | SUPPLIER | SUPPLIER No. |
|------|------|------------------------------|----------|--------------|
| 1 | 1 | CENTRE BEAM ASSEMBLY | COUNTY | 90243 |
| 2 | 1 | FRONT SUPPORT BRACKET | COUNTY | 90249 |
| 3 | 1 | PIN ASSEMBLY | COUNTY | 90245 |
| 4 | 2 | BOLT HEX HD M20-2.5 x 130.0 | COUNTY | 90291 |
| 5 | 2 | BOLT HEX HD M20-2.5 x 80.0 | COUNTY | 90292 |
| 6 | 2 | SCREW HEX HD M12-1.75 x 35.0 | CNH | 626-12035 |
| 7 | 1 | AXLE AND HUB ASSEMBLY LH | COUNTY | 90240 |
| 8 | 1 | AXLE AND HUB ASSEMBLY RH | COUNTY | 90239 |
| 9 | 4 | BOLT HEX HD M20-2.5 x 200.0 | COUNTY | 90293 |
| 10 | 4 | SPACER - FRONT AXLE | CNH | 81872166 |
| 11 | 4 | NUT M20-2.5 | CNH | 81851143 |
| 12 | 1 | ROD ASSEMBLY | CNH | 82002655 |
| 13 | 2 | NUT 7-8 INCH UNF | CNH | 82894839 |
| 14 | 1 | STEERING RAM ASSEMBLY | CNH | 82029412 |
| 15 | 2 | NUT 1 INCH UNF | CNH | 83958917 |
| 16 | 2 | THRUST WASHER | CNH | 81820110 |



TITLE

90250 - 2WD FRONT AXLE - LH ASSEMBLY

DOCUMENT

90250 - CNH T6 Hi-Crop 2WD FRONT AXLE ASSEMBLY.pptx

DATE

2017-07-19

DRAWN

RT

CHECKED

JSM

APPROVED

EM

DESCRIPTION

CNH Hi-Crop Parts Book

COUNTY PART NUMBER

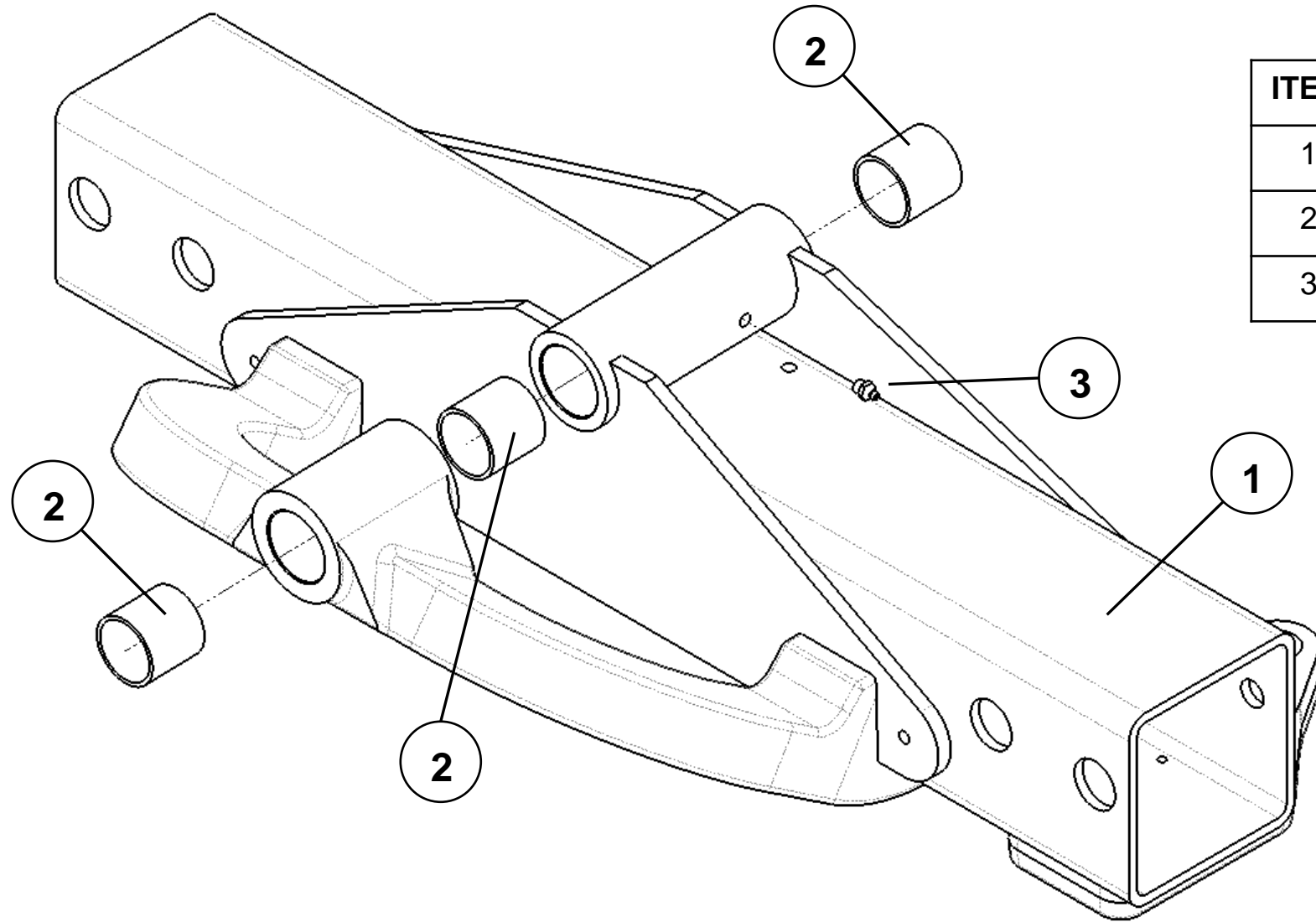
Sheet 2
of 9



COUNTY COPYRIGHT ©
THIS DOCUMENT CONTAINS CONFIDENTIAL INFORMATION
WHICH MUST NOT BE DISCLOSED TO ANY PERSON
WITHOUT OUR PRIOR AUTHORITY IN WRITING.

PREPARED BY





| ITEM | QTY. | DESCRIPTION | SUPPLIER | SUPPLIER No. |
|------|------|----------------------------|----------|--------------|
| 1 | 1 | CENTRE BEAM WELD ASSEMBLY | COUNTY | 90243 |
| 2 | 3 | BUSHING 48 x 54 x 50 | CNH | 82003066 |
| 3 | 1 | GREASE NIPPLE 1-8 INCH NPT | CNH | 83416242 |



TITLE

90243 – CENTRE BEAM ASSEMBLY

DOCUMENT

90250 - CNH T6 Hi-Crop 2WD FRONT AXLE ASSEMBLY.pptx

DATE

2017-07-19

DRAWN

RT

CHECKED

JSM

APPROVED

EM



PREPARED BY



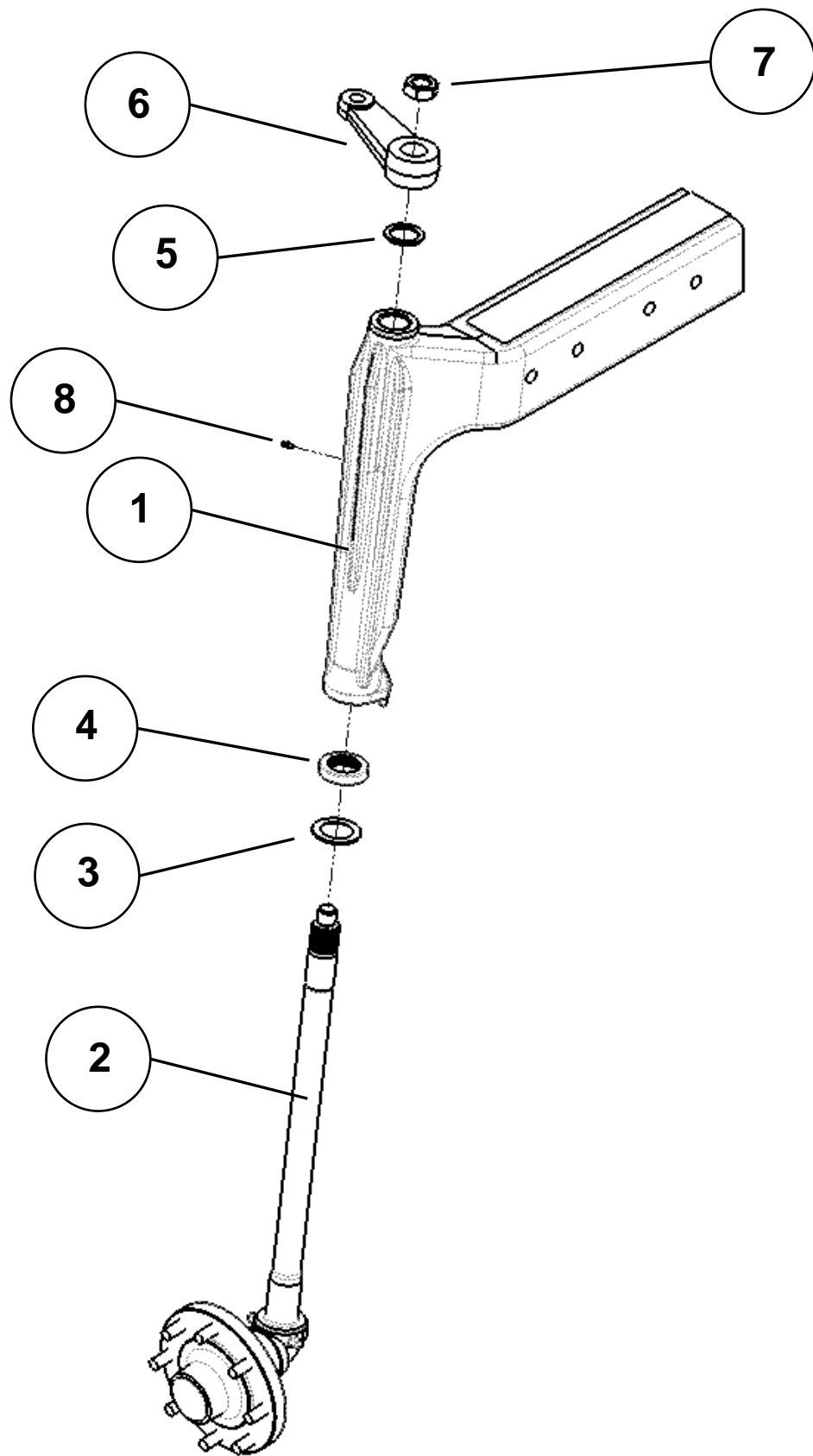
DESCRIPTION

CNH Hi-Crop Parts Book

COUNTY PART NUMBER

Sheet 3
of 9

COUNTY COPYRIGHT ©
THIS DOCUMENT CONTAINS CONFIDENTIAL INFORMATION
WHICH MUST NOT BE DISCLOSED TO ANY PERSON
WITHOUT OUR PRIOR AUTHORITY IN WRITING.



| ITEM | QTY. | DESCRIPTION | SUPPLIER | SUPPLIER No. |
|------|------|----------------------------|----------|--------------|
| 1 | 1 | AXLE EXTENSION RH | COUNTY | 90238 |
| 2 | 1 | SPINDLE AND HUB ASSEMBLY | COUNTY | 90123 |
| 3 | 1 | SPACER - THRUST BEARING | CNH | 81864058 |
| 4 | 1 | THRUST BEARING | CNH | 138712 |
| 5 | 1 | SEAL | CNH | 83918236 |
| 6 | 1 | STEERING ARM | CNH | SEE TABLE A |
| 7 | 1 | NUT 1 1-8 INCH UNF | CNH | 83955891 |
| 8 | 1 | GREASE NIPPLE 1-4 INCH UNF | CNH | 83416243 |

NOTE: ITEM 2 - SPINDLE SUPPLIED BY COUNTY, HUB SUPPLIED BY CNH.

TABLE A

| IF THIS ASSEMBLY REPLACES CNH ASSEMBLY | USE STEERING ARM |
|--|------------------|
| 82028987 | 82029586 |
| 82028985 | 82029584 |



TITLE

90239 – AXLE AND HUB ASSEMBLY RH

DOCUMENT

90250 - CNH T6 Hi-Crop 2WD FRONT AXLE ASSEMBLY.pptx

DATE

2017-07-19

DRAWN

RT

CHECKED

JSM

APPROVED

EM

DESCRIPTION

CNH Hi-Crop Parts Book

COUNTY PART NUMBER

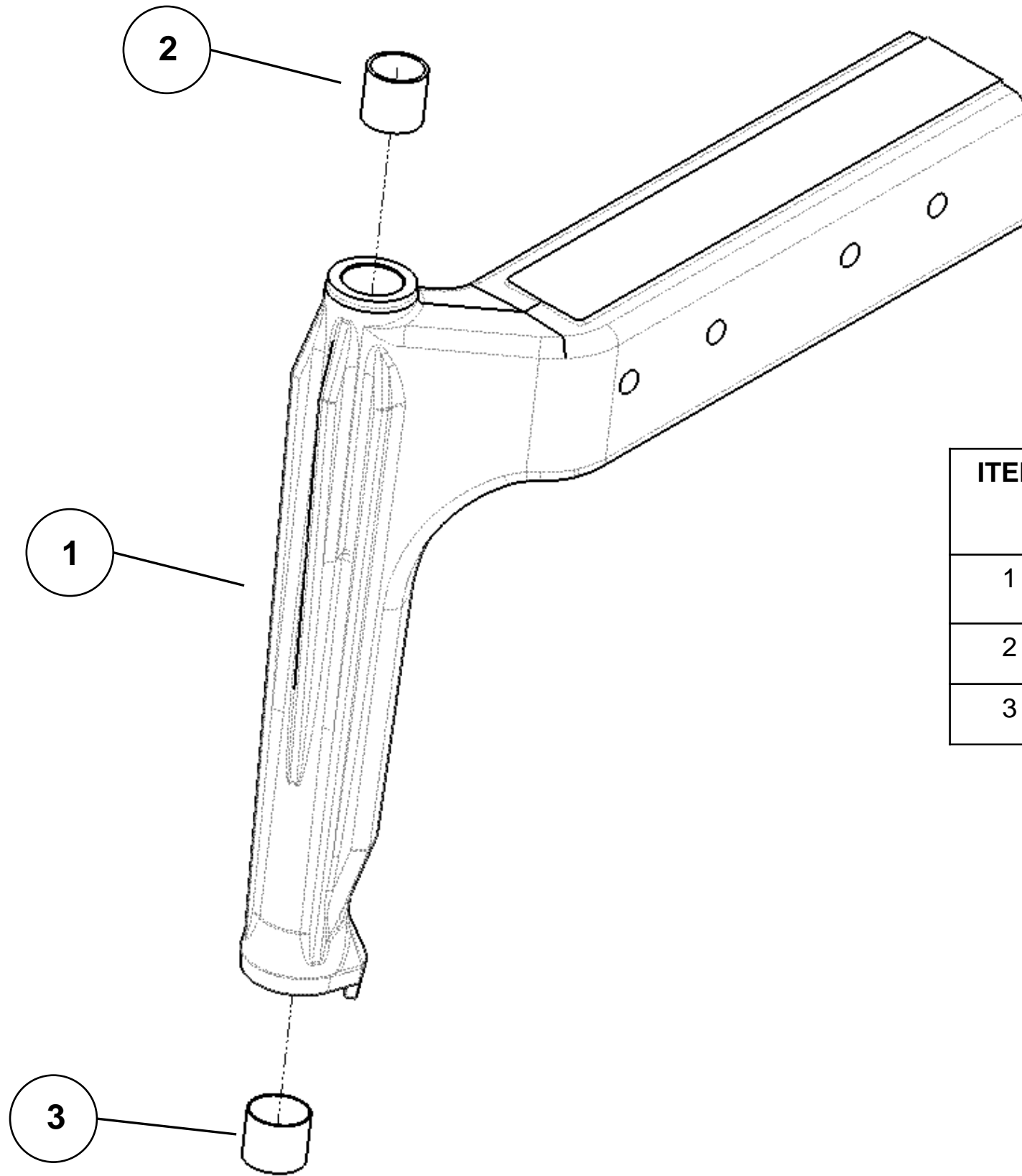
Sheet **4**
of **9**



COUNTY COPYRIGHT ©
THIS DOCUMENT CONTAINS CONFIDENTIAL INFORMATION
WHICH MUST NOT BE DISCLOSED TO ANY PERSON
WITHOUT OUR PRIOR AUTHORITY IN WRITING.

PREPARED BY





| ITEM | QTY. | DESCRIPTION | SUPPLIER | SUPPLIER No. |
|------|------|-------------------|----------|--------------|
| 1 | 1 | AXLE EXTENSION RH | COUNTY | 90238 |
| 2 | 1 | BUSHING - UPPER | CNH | 83903309 |
| 3 | 1 | BUSHING - LOWER | CNH | 81812242 |



TITLE

90238 –AXLE EXTENSION RH



DOCUMENT

90250 - CNH T6 Hi-Crop 2WD FRONT AXLE ASSEMBLY.pptx

DATE

2017-07-19

DRAWN

RT

CHECKED

JSM

APPROVED

EM

PREPARED BY



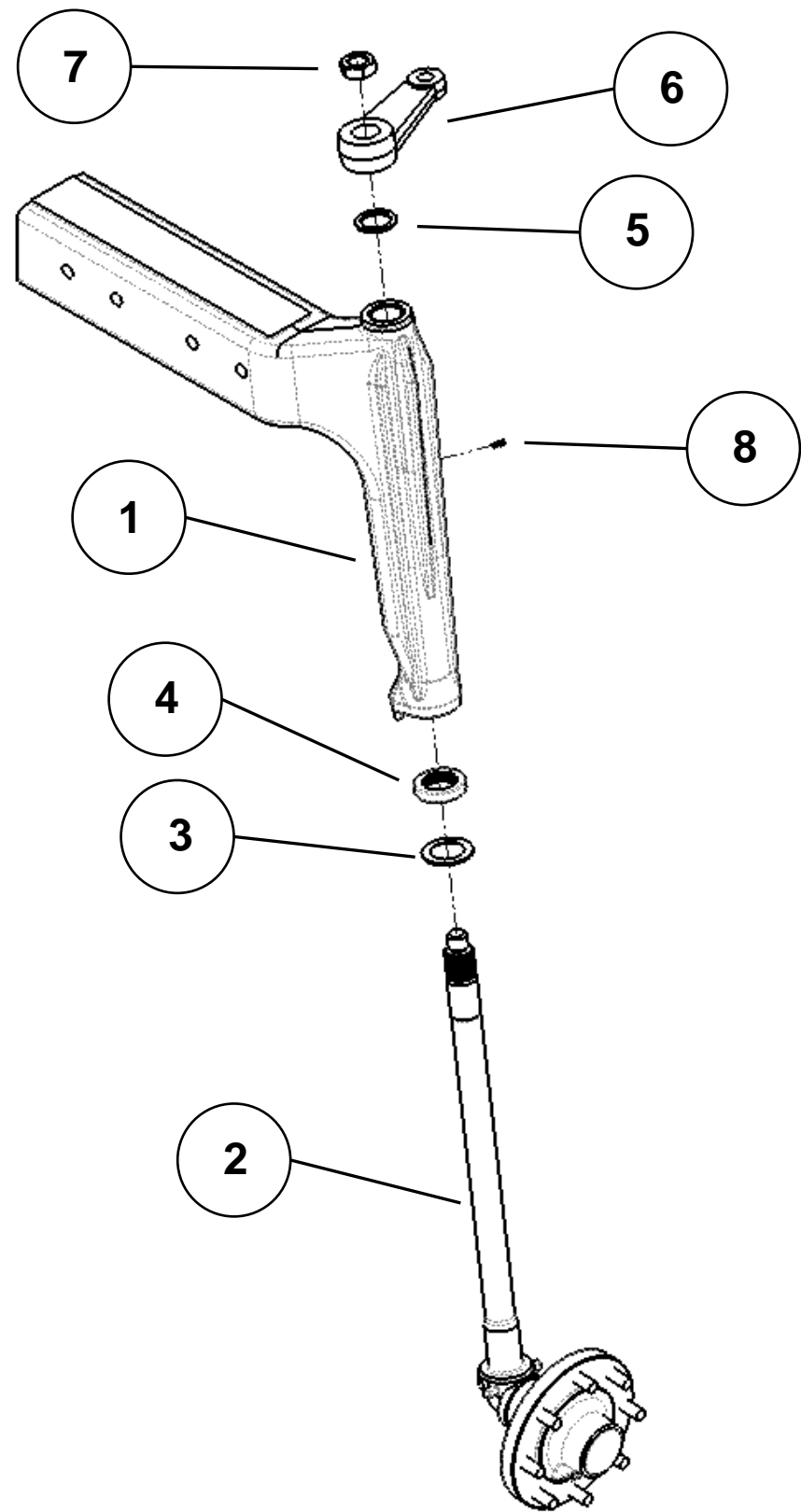
DESCRIPTION

CNH Hi-Crop Parts Book

COUNTY PART NUMBER

Sheet **5**
of **9**

COUNTY COPYRIGHT ©
THIS DOCUMENT CONTAINS CONFIDENTIAL INFORMATION
WHICH MUST NOT BE DISCLOSED TO ANY PERSON
WITHOUT OUR PRIOR AUTHORITY IN WRITING.






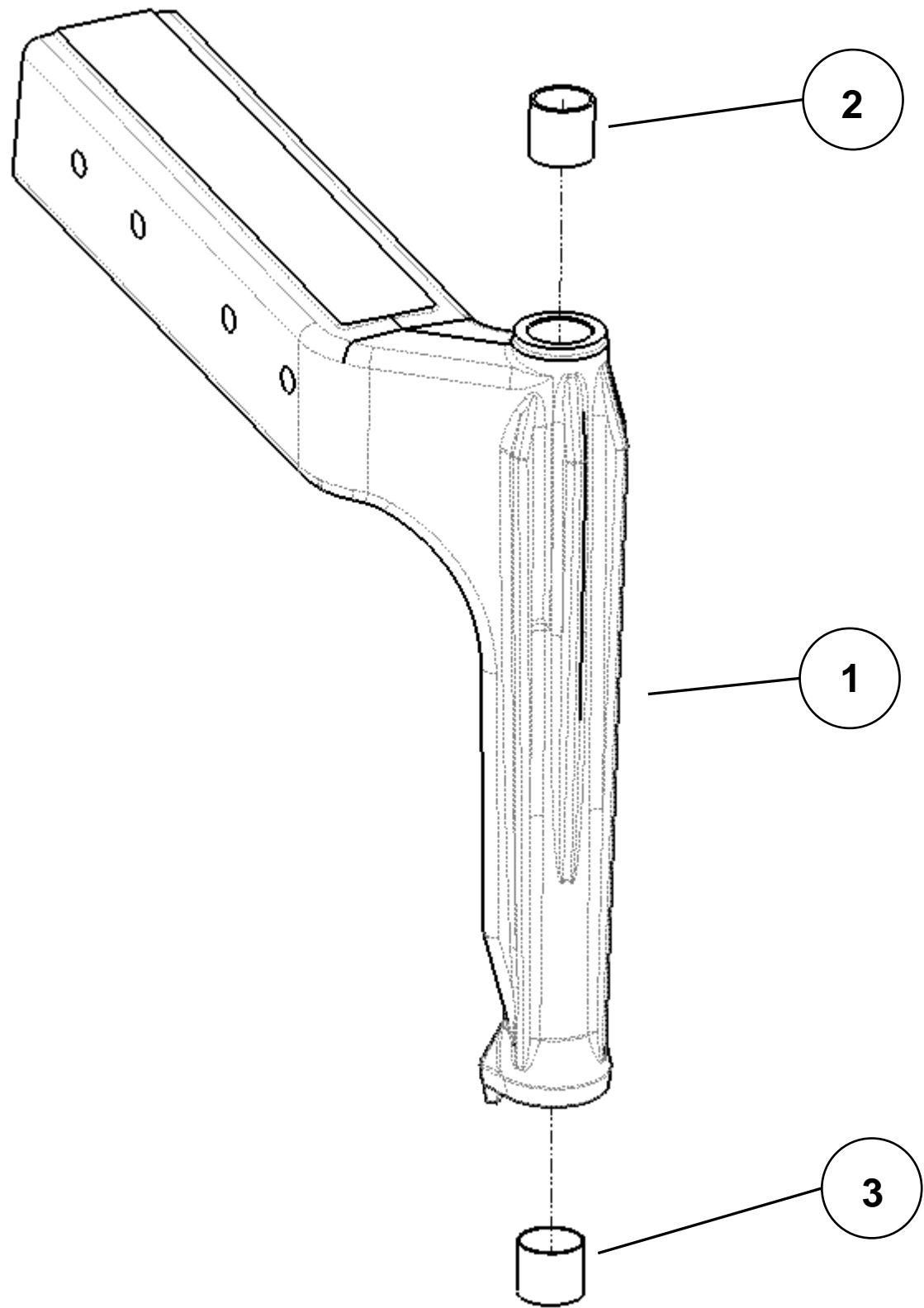
| ITEM | QTY. | DESCRIPTION | SUPPLIER | SUPPLIER No. |
|------|------|----------------------------|----------|--------------|
| 1 | 1 | AXLE EXTENSION LH | COUNTY | 90237 |
| 2 | 1 | SPINDLE AND HUB ASSEMBLY | COUNTY | 90123 |
| 3 | 1 | SPACER - THRUST BEARING | CNH | 81864058 |
| 4 | 1 | THRUST BEARING | CNH | 138712 |
| 5 | 1 | SEAL | CNH | 83918236 |
| 6 | 1 | STEERING ARM | CNH | SEE TABLE B |
| 7 | 1 | NUT 1 1-8 INCH UNF | CNH | 83955891 |
| 8 | 1 | GREASE NIPPLE 1-4 INCH UNF | CNH | 83416243 |

NOTE: ITEM 2 - SPINDLE SUPPLIED BY COUNTY, HUB SUPPLIED BY CNH.

TABLE B

| IF THIS ASSEMBLY REPLACES CNH ASSEMBLY | USE STEERING ARM |
|--|------------------|
| 82028986 | 82029587 |
| 82028984 | 82029585 |

| | | | | | |
|--|--|--------------------|--------------------|-------------------------------|---|
|  | TITLE <h2 style="text-align: center;">90240 – AXLE AND HUB ASSEMBLY LH</h2> | | | |  |
| | DOCUMENT 90250 - CNH T6 Hi-Crop 2WD FRONT AXLE ASSEMBLY.pptx | DATE 2017-07-19 | DRAWN RT | CHECKED JSM | |
| PREPARED BY  | DESCRIPTION <h3 style="text-align: center;">CNH Hi-Crop Parts Book</h3> | | COUNTY PART NUMBER | Sheet 6 of 9 | COUNTY COPYRIGHT © THIS DOCUMENT CONTAINS CONFIDENTIAL INFORMATION WHICH MUST NOT BE DISCLOSED TO ANY PERSON WITHOUT OUR PRIOR AUTHORITY IN WRITING. |



| ITEM | QTY. | DESCRIPTION | SUPPLIER | SUPPLIER No. |
|------|------|-------------------|----------|--------------|
| 1 | 1 | AXLE EXTENSION LH | COUNTY | 90237 |
| 2 | 1 | BUSHING - UPPER | CNH | 83903309 |
| 3 | 1 | BUSHING - LOWER | CNH | 81812242 |



TITLE

90237 –AXLE EXTENSION LH

DOCUMENT

90250 - CNH T6 Hi-Crop 2WD FRONT AXLE ASSEMBLY.pptx

DATE

2017-07-19

DRAWN

RT

CHECKED

JSM

APPROVED

EM



PREPARED BY



DESCRIPTION

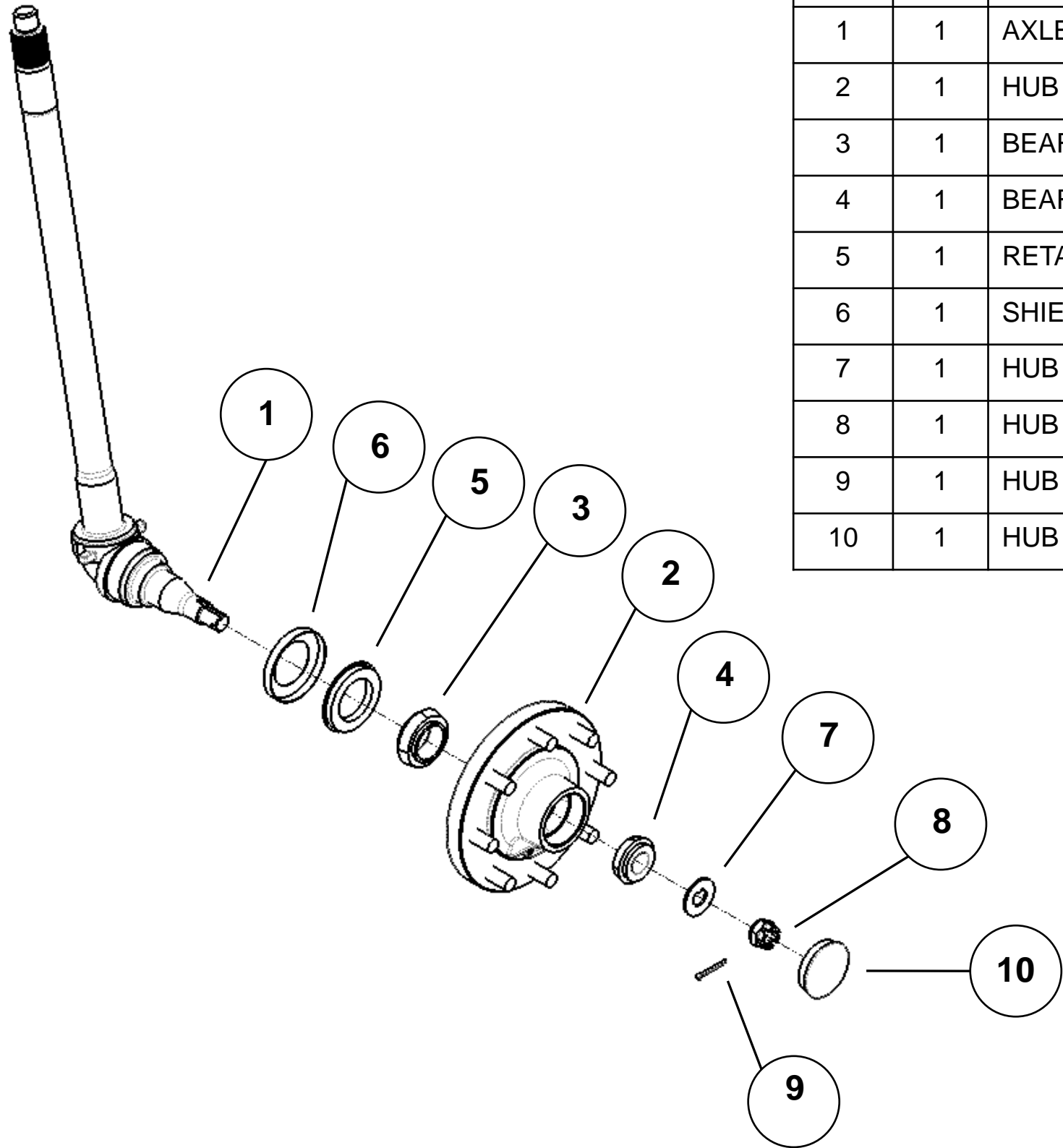
CNH Hi-Crop Parts Book




COUNTY PART NUMBER

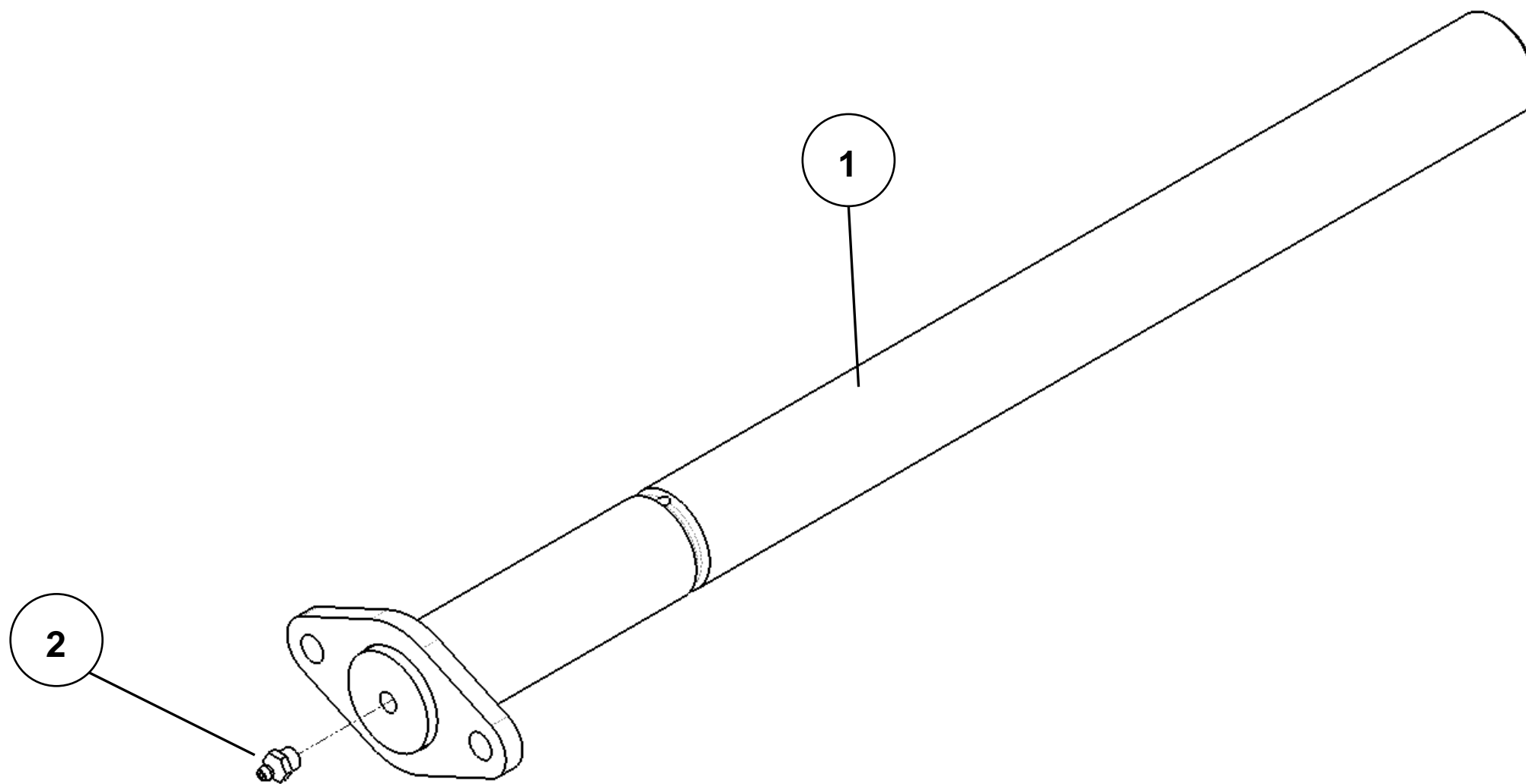
Sheet **7**
of **9**

COUNTY COPYRIGHT ©
THIS DOCUMENT CONTAINS CONFIDENTIAL INFORMATION
WHICH MUST NOT BE DISCLOSED TO ANY PERSON
WITHOUT OUR PRIOR AUTHORITY IN WRITING.

| ITEM | QTY. | DESCRIPTION | SUPPLIER | SUPPLIER No. |
|------|------|---|----------|--------------|
| 1 | 1 | AXLE SPINDLE ASSEMBLY | COUNTY | 90075 |
| 2 | 1 | HUB ASSEMBLY | CNH | 81863773 |
| 3 | 1 | BEARING CONE AND ROLLERS 45.618 x 83.058 X 23.876 | CNH | 81812262 |
| 4 | 1 | BEARING CONE AND ROLLERS 28.575 x 68.262 x 22.225 | CNH | 81812303 |
| 5 | 1 | RETAINER ASSEMBLY | CNH | 83948358 |
| 6 | 1 | SHIELD | CNH | 81812306 |
| 7 | 1 | HUB WASHER 7-8 INCH | CNH | 81735236 |
| 8 | 1 | HUB NUT 7-8 INCH UNF | CNH | 82895302 |
| 9 | 1 | HUB SPLIT PIN | CNH | 81810834 |
| 10 | 1 | HUB CAP | CNH | 81812309 |



| | | | | | |
|---|--|---------------------------|---------------------------|-------------------------------|---|
|  | TITLE 90123 – SPINDLE AND HUB ASSEMBLY | | | |  |
| | DOCUMENT 90250 - CNH T6 Hi-Crop 2WD FRONT AXLE ASSEMBLY.pptx | DATE 2017-07-19 | DRAWN RT | CHECKED JSM | |
| PREPARED BY  | DESCRIPTION CNH Hi-Crop Parts Book | | COUNTY PART NUMBER | Sheet 8 of 9 | COUNTY COPYRIGHT © THIS DOCUMENT CONTAINS CONFIDENTIAL INFORMATION WHICH MUST NOT BE DISCLOSED TO ANY PERSON WITHOUT OUR PRIOR AUTHORITY IN WRITING. |



| ITEM | QTY. | DESCRIPTION | SUPPLIER | SUPPLIER No. |
|------|------|----------------------------|----------|--------------|
| 1 | 1 | PIN WELD ASSEMBLY | COUNTY | 90245 |
| 2 | 1 | GREASE NIPPLE 1-8 INCH NPT | CNH | 83416242 |



TITLE

90245 – PIN ASSEMBLY



DOCUMENT

90250 - CNH T6 Hi-Crop 2WD FRONT AXLE ASSEMBLY.pptx

DATE

2017-07-19

DRAWN

RT

CHECKED

JSM

APPROVED

EM

PREPARED BY



DESCRIPTION

CNH Hi-Crop Parts Book

COUNTY PART NUMBER

Sheet **9**
of **9**

COUNTY COPYRIGHT ©
THIS DOCUMENT CONTAINS CONFIDENTIAL INFORMATION
WHICH MUST NOT BE DISCLOSED TO ANY PERSON
WITHOUT OUR PRIOR AUTHORITY IN WRITING.